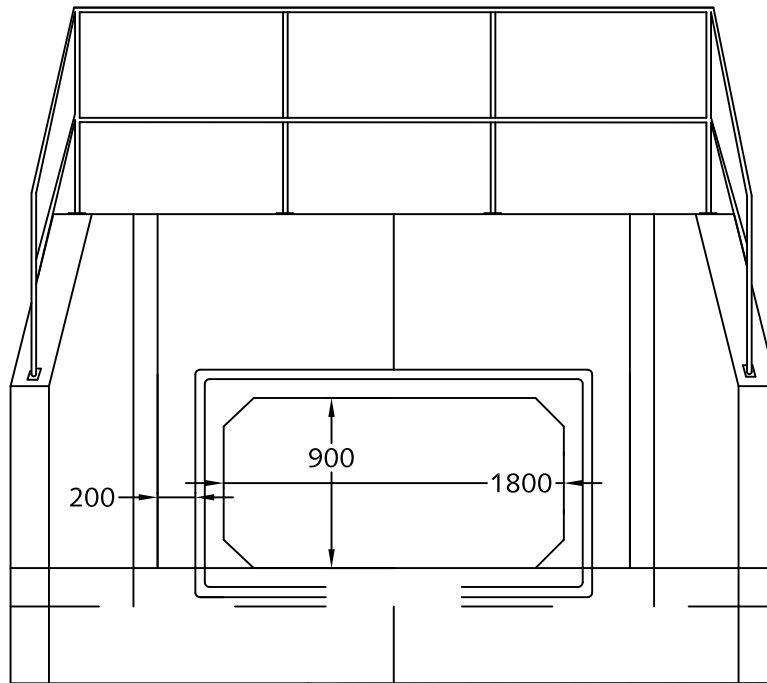


Plan View



Elevation View

Notes:

1. 26-28 Headwall is split and expanded to provide area for 1800x900 Box Culvert opening.
2. Box opening to be reinforced with 15M rebar.
3. Optional handrail available on request.
4. Minimum concrete strength: 27.5 MPa.



DESCRIPTION:

26-28 Headwall Structure
w/ 1800x900 Box Culvert opening

DRAWN BY: JAO

ORIGIN: CHWK

SCALE: 1:40

DRAWING NO:

DATE: 04/09/22

26-28BC-2

This drawing is the property of the Langley Concrete Group of Companies. All information contained herein is confidential and may not be used in whole or in part without written permission from the owner.