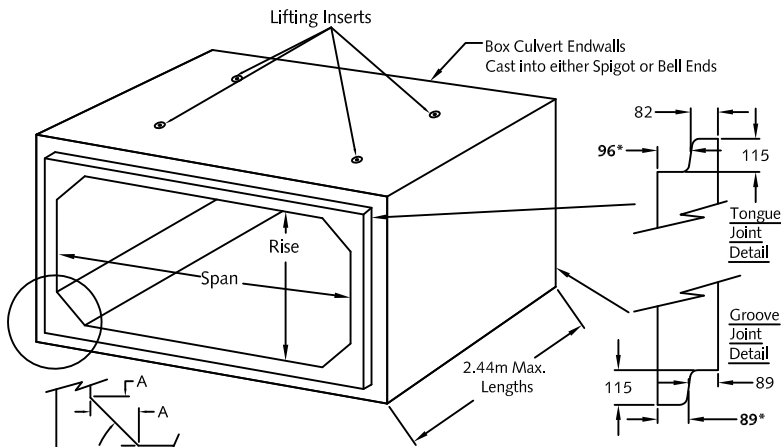
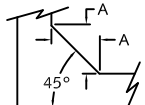


Box Culvert

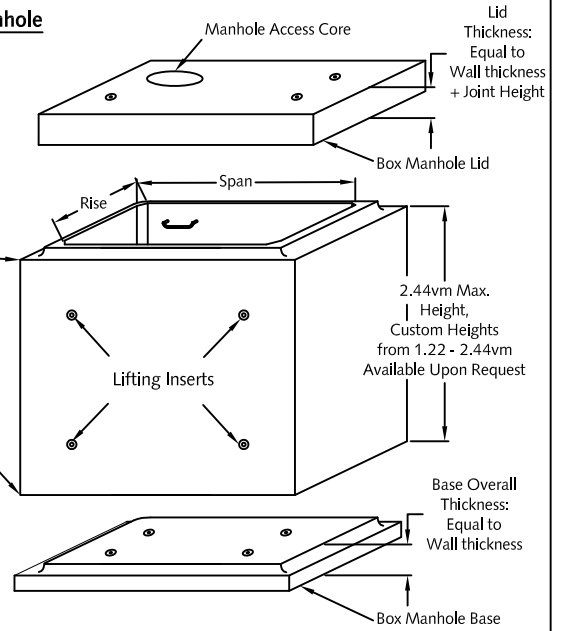


Haunch Detail

'A' is the same width / height as the wall thickness for each size



Box Manhole



Joint Detail

"**" dimensions change by the wall thickness

Span by Rise Dimensions	Weights Per linear Metre	Wall Thickness	Box Manhole Lid Weights	Box Manhole Base / Endwall Weights
1829 x 914	2875	178	1400	1225
1829 x 1220	3150	178	1775	1575
1829 x 1524	3400	178	2100	1875
1829 x 1829	3675	178	2450	2200
2134 x 1220	3950	203	2100	1825
2134 x 1524	4210	203	2245	1950
2134 x 1829	4510	203	2400	2085
2134 x 2134	4850	203	3300	3000
2438 x 1220	4275	203	2375	2100
2438 x 1524	4575	203	2825	2550
2438 x 1829	4875	203	3275	2950
2438 x 2134	5200	203	3725	3375
2438 x 2438	5500	203	4175	3800
3050 x 1229	6275	254	3925	3625
3058 x 1524	6650	254	4600	4275
3058 x 1829	7025	254	5300	4925
3058 x 2134	7400	254	6000	5600
3058 x 2438	7800	254	6675	6250
3058 x 3050	8550	254	8050	7550
3658 x 1220	8525	305	5775	5425
3658 x 1524	8975	305	6750	6375
3658 x 1829	9400	305	7725	7325
3658 x 2134	9850	305	8675	8250
3658 x 2438	10,300	305	9675	9150
3658 x 3050	11,300	305	11,610	11,100
3658 x 3658	12,100	305	13,520	13,000
4267 x 1524	10,050	305	7775	7325
4267 x 1829	10,475	305	8980	8620
4267 x 2134	10,950	305	10,330	9915
4267 x 3050	12,250	305	11,930	11,450
4267 x 3650	13,150	305	13,720	13,170

Notes:

- Box is manufactured to ASTM C1433M specifications or as vertical chamber.
- Standard section length is 2.44 meters. Other lengths/heights, are available upon request.
- Vertical chamber sections are supplied with rungs.
- Cores, bends, or other special requirements are available upon request.
- Sections are supplied with lifting devices.
- Joints meet ASTM C990M specifications.



DESCRIPTION:
Box Culvert / Manhole Details
www.langleyconcretegroup.com

DRAWN BY: JAO
 SCALE: 1:50
 DATE: Jan/25/2010
 ORIGIN: LC&T
 DRAWING NO:
 Box-1

This drawing is the property of the Langley Concrete Group of Companies. All information contained herein is confidential and may not be used in whole or in part without written permission from the owner.