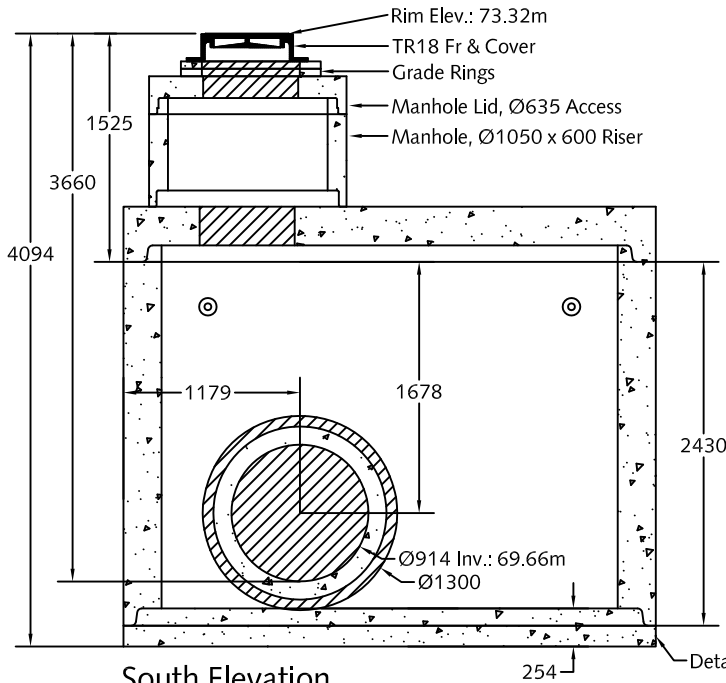
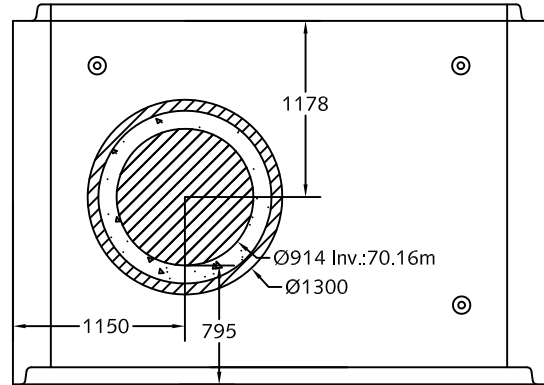
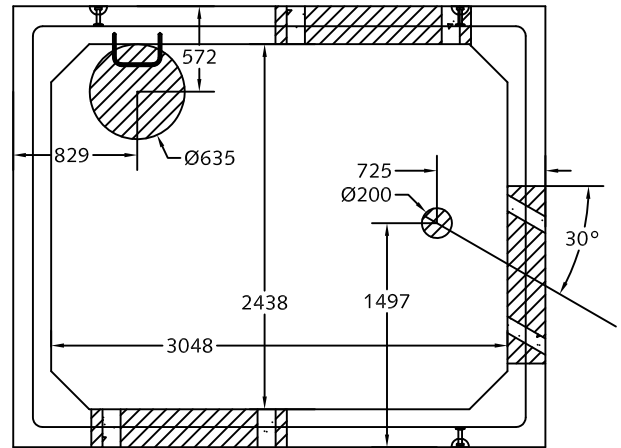


North Elevation



South Elevation



Plan View

Notes:

1. Box Manhole manufactured in accordance with ASTM C1433 specifications.
2. Box Manhole configurations allow for customized cores, carve outs to facilitate on-site piping configurations.
3. Box manholes are supplied with lids and bases which can be customized to suit many applications for access hatches, sluice gate operation, vents, etc.
4. Standard lengths are 2.44m vertical to 1.22m. Heights are adjusted to suit on-site elevations for paving.
5. Box manhole sizes and configurations are available by referring to DWG #Box-1.



DESCRIPTION:

Box Manhole
Typical Chamber

www.langleyconcretegroup.com

DRAWN BY: JAO

ORIGIN: CHWK

SCALE: 1:50

DRAWING NO:

DATE: Jan/22/2010

Box - MhEx

This drawing is the property of the Langley Concrete Group of Companies. All information contained herein is confidential and may not be used in whole or in part without written permission from the owner.

REV. DATE:

1. July/14/2010

LANGLEY (604)533-1656

VICTORIA (250) 478-9581

CHILLIWACK 1-800-667-9600