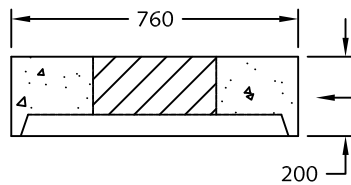
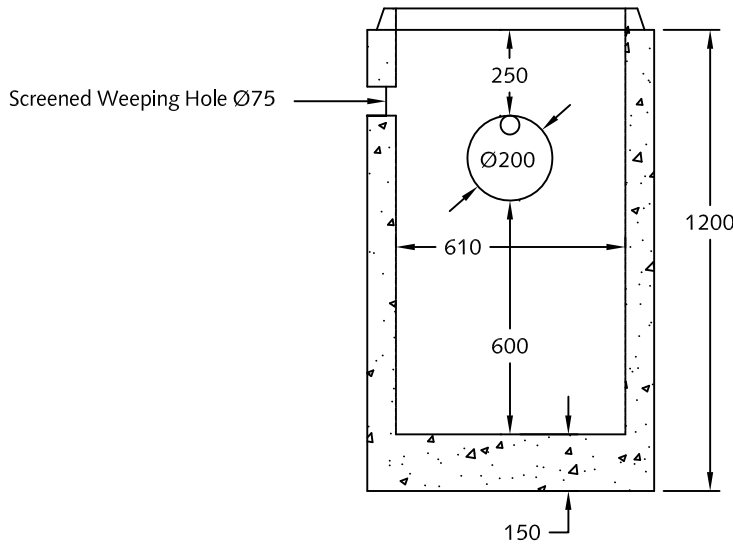


Standard curb lid to fit TR23/24

Catchbasin will accept TR26B frame & grate
No lid necessary with TR26B



HS-20 highway loading lid, to accept TR 23/24
Effective height: 150mm
Lid weight: 123 KG



Notes:

1. Catchbasins manufactured to ASTM C478 standards.
2. Ø200mm Knock Out core for Outlet Pipe supplied as shown.
3. Ø75mm Galv. Screened Weep Hole provided as shown.
4. 150mm thick base cast in bottom as shown.
5. Adjustable hood on 23/24 frame shown for reference only.
6. Trapping hood recommended for outlet pipe, pins available on request.
7. Minimum concrete strength: 27.5 MPa.
8. Approx weight of Catchbasin: 580kgs.
9. All dimensions are in millimeters.



DESCRIPTION:

Ø600x1200
C478 Catchbasin
www.langleyconcretegroup.com

DRAWN BY: JAO ORIGIN: CHWK

SCALE: 1:20 DRAWING NO:

DATE: May/03/2010

This drawing is the property of the Langley Concrete Group of Companies. All information contained herein is confidential and may not be used in whole or in part without written permission from the owner.

CB-1