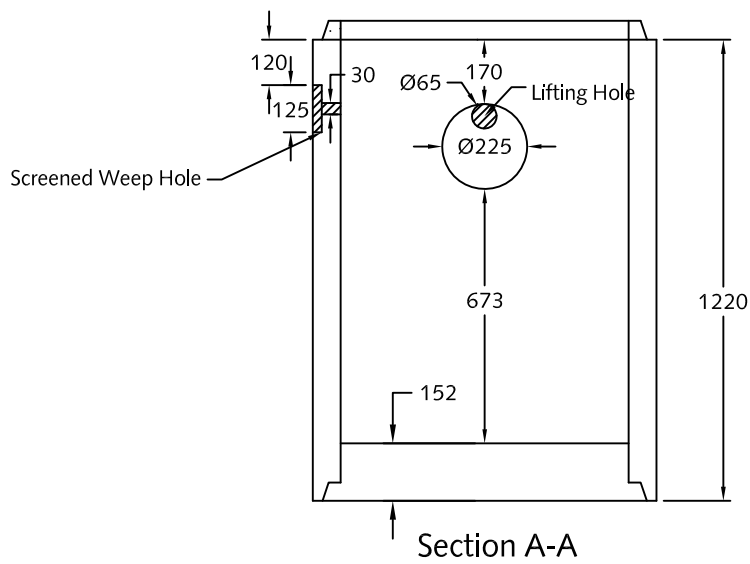


Plan View



Section A-A

Notes:

1. Reinforced 750x1200 catchbasin w/base & core as shown.
2. Core to be 225Ømm as shown.
3. Screened weeping hole provided as shown.
4. Lifting hole supplied opposite to core as shown.
5. Approx. weight: 1062 kgs[2340lbs].
6. Min. concrete strength: 27.6 MPa.



The LANGLEY CONCRETE Group of Companies

DESCRIPTION:

750x1200C478  
 Catchbasin  
[www.langleyconcretegroup.com](http://www.langleyconcretegroup.com)

DRAWN BY: JAO      ORIGIN: CHWK

SCALE: 1:20      DRAWING NO:

DATE: Mar/24/2002      CB0.75x1.2WB

This drawing is the property of the Langley Concrete Group of Companies. All information contained herein is confidential and may not be used in whole or in part without written permission from the owner.