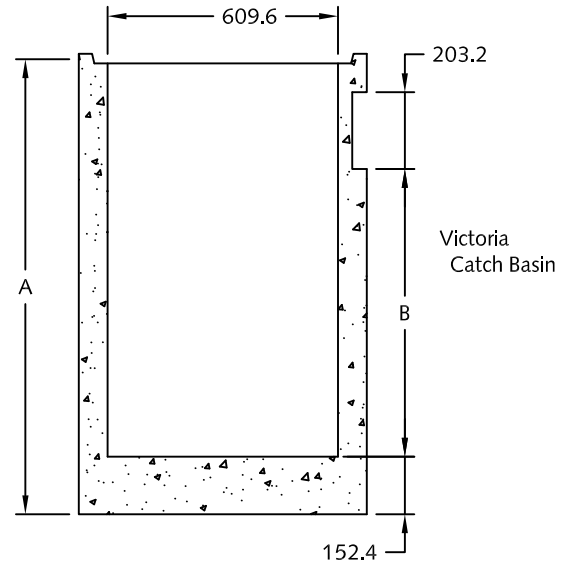
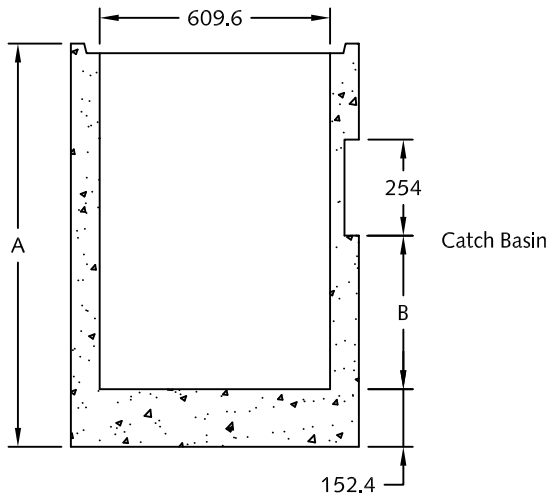
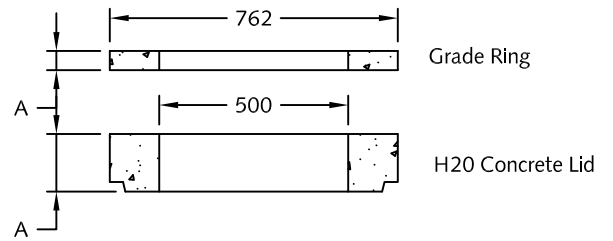
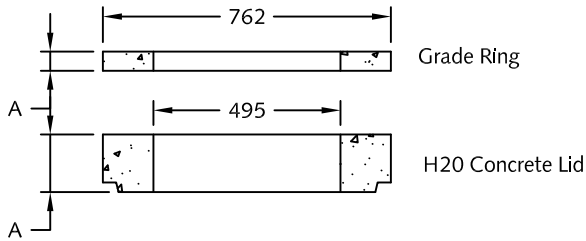
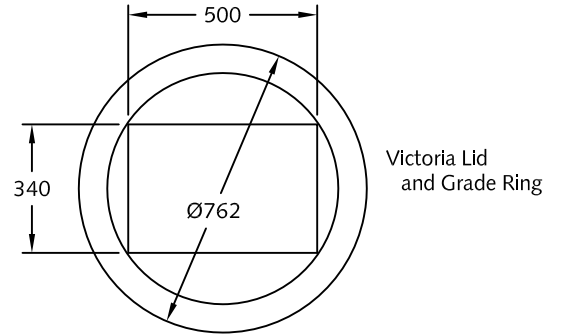
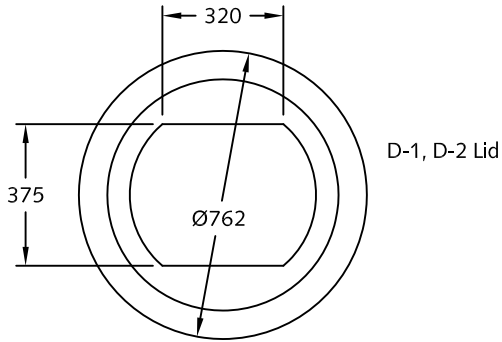


600 mm diameter Catch Basin Data				
Type	Diameter mm	Weight kg	A mm	B mm
D-1	600	570	1067	406
D-2	600	680	1220	559
Victoria	600	680	1220	762
D-1, D-2 Lids	600	132	152	N/A
Victoria Grade Ring	600	28	40	N/A
"D" Grade Ring	600	30	50	N/A

- Notes:
1. Sections are manufactured to ASTM C478 specifications
 2. Lids and Sumps are interchangeable
 3. All dimensions are in millimeters



DESCRIPTION:

600 mm Catch Basin Details
Vancouver Island

DRAWN BY:

WED

ORIGIN:

LOMBARD

SCALE:

1:20

DATE: September 1998

DRAWING NO:

CBV-1

This drawing is the property of the Langley Concrete Group of Companies. All information contained herein is confidential and may not be used in whole or in part without written permission from the owner.

LANGLEY (604)533-1656

VICTORIA (250) 478-9581

CHILLIWACK 1-800-667-9600