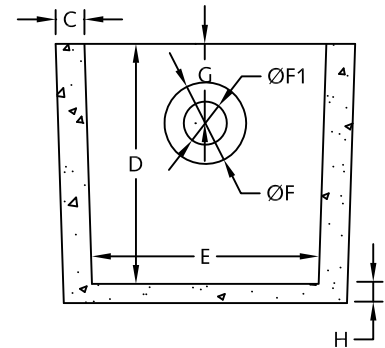
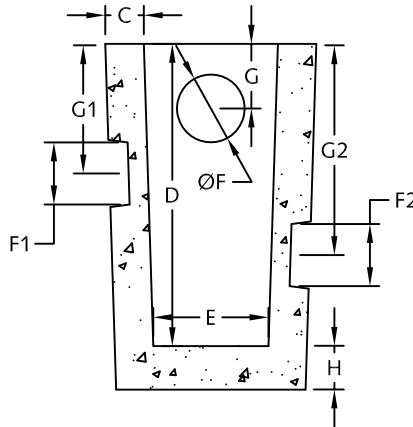
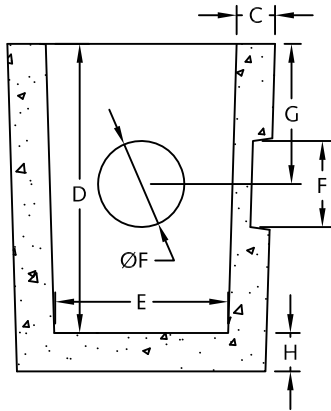


Plan Views



Elevation Views

Square and Rectangular Catch Basins													
Type	Weight kg	A mm	B mm	C mm	D mm	E mm	F mm	F1 mm	F2 mm	G mm	G1 mm	G2 mm	H mm
Curb & Gutter 350x500	475	505	355	101.6	765	460	228			364			101.6
Off Road 350x350	435	355	355	101.6	800	305	190	178	178	171	343	559	115
Parking Lot 600x600	455	640	640	76.2	635	600	216	114		210	210		50.8



DESCRIPTION:
Square & Rectangular
Catch Basins
Vancouver Island

DRAWN BY: WED
SCALE: 1:20
DATE: October 1998

ORIGIN:
LOMBARD
DRAWING NO:
CBV-3

This drawing is the property of the Langley Concrete Group of Companies. All information contained herein is confidential and may not be used in whole or in part without written permission from the owner.