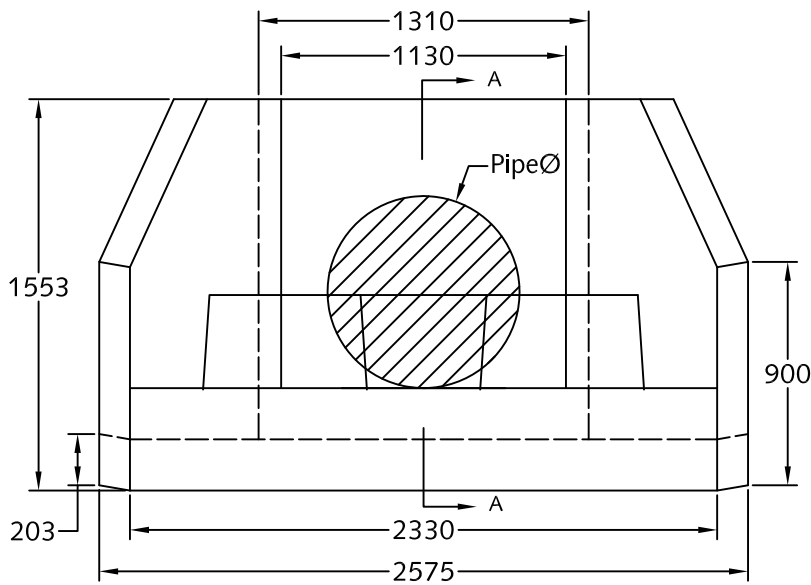
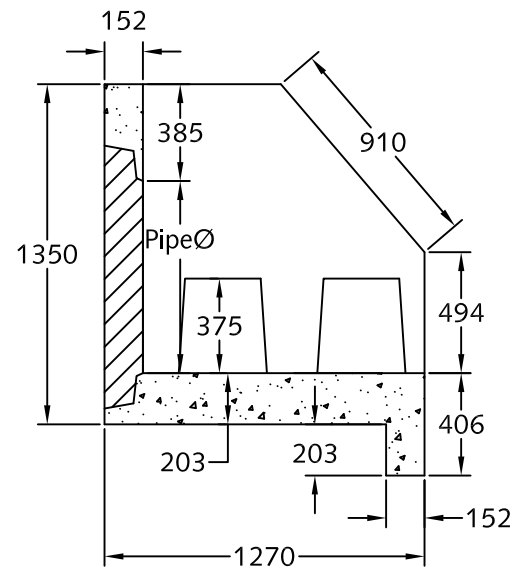


Plan View



Elevation View



Section A-A

Notes:

1. HW 11-13 to be built as shown.
2. Unit c/w energy dissipator blocks as shown.
3. Unit c/w rough core for inlet-outlet as shown.
4. Suggested for pipe sizes to a maximum 600 mm diameter.
5. Structure c/w bolt anchors for grills and handrails.
6. Bolt on Inlet or Outlet grills and handrails are available upon request.
7. Each unit c/w lifting inserts as required.
8. Approximate weight: 2,760 kg.
9. Minimum rebar yield strength: 414 MPa.
10. Minimum concrete strength: 28 MPa.
11. All dimensions are in millimeters.



The LANGLEY CONCRETE Group of Companies

DESCRIPTION:

11-13 Headwall Structure  
w/ Energy Dissipator

[www.langleyconcretegroup.com](http://www.langleyconcretegroup.com)

DRAWN BY: KS ORIGIN: CHWK

CHK BY: JAO/SW DWG NO:

DATE: FEB/10/2010 HW 11-13-ED

SCALE: 1:30 REV DATE: N/A

This drawing is the property of the Langley Concrete Group of Companies. All information contained herein is confidential and may not be used in whole or in part without written permission from the owner.

LANGLEY (604) 533-1656 VICTORIA (250) 478-9581 CHILLIWACK 1-800 667-9600