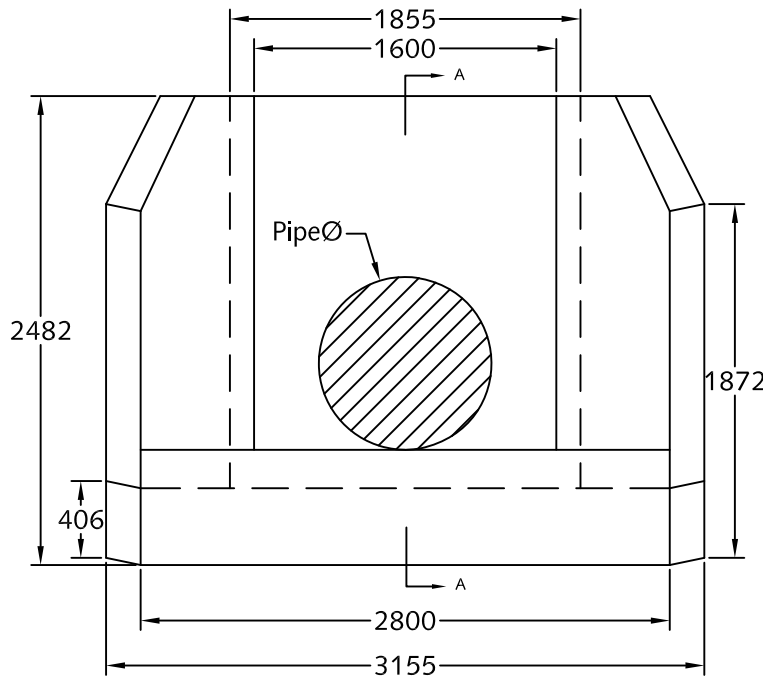
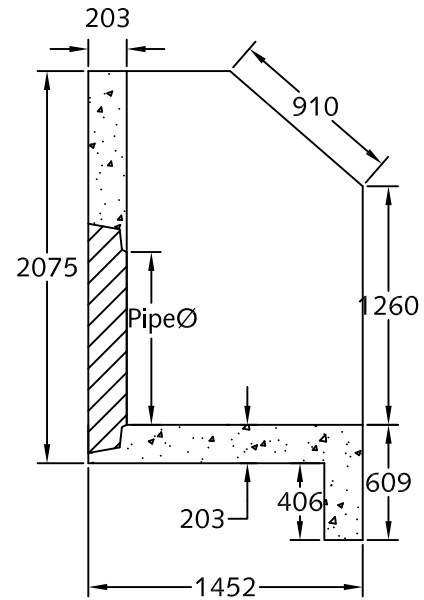


Plan View



Elevation View



Section A-A

Notes:

1. HW 16-20 to be built as shown.
2. Unit c/w rough cores for inlet/outlet as shown.
3. Suggested for pipe sizes to a maximum of 1200 mm diameter.
4. Structure c/w bolt anchors for grills and handrails.
5. Bolt on Inlet or Outlet grills and handrails are available upon request.
6. Each unit c/w lifting inserts as required.
7. Approximate weight: 6,500 kg.
8. Minimum rebar yield strength: 414 MPa.
9. Minimum concrete strength: 28 MPa.
10. All dimensions are in millimeters.



DESCRIPTION:

**16-20 Headwall Structure**

[www.langleyconcretegroup.com](http://www.langleyconcretegroup.com)

DRAWN BY:	KS	ORIGIN:	CHWK
CHK BY:	JAO/SW	DWG NO:	HW 16-20-1.0
DATE:	MAR/11/2010	REV DATE:	N/A
SCALE:	1:40		

This drawing is the property of the Langley Concrete Group of Companies. All information contained herein is confidential and may not be used in whole or in part without written permission from the owner.