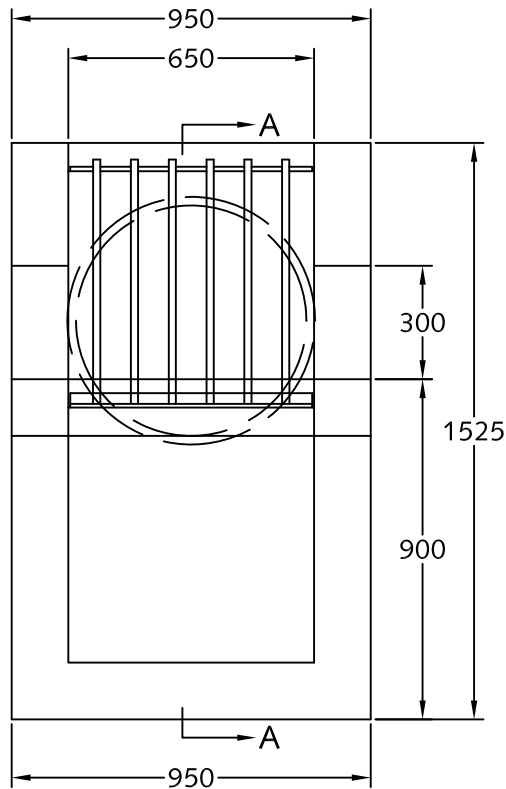
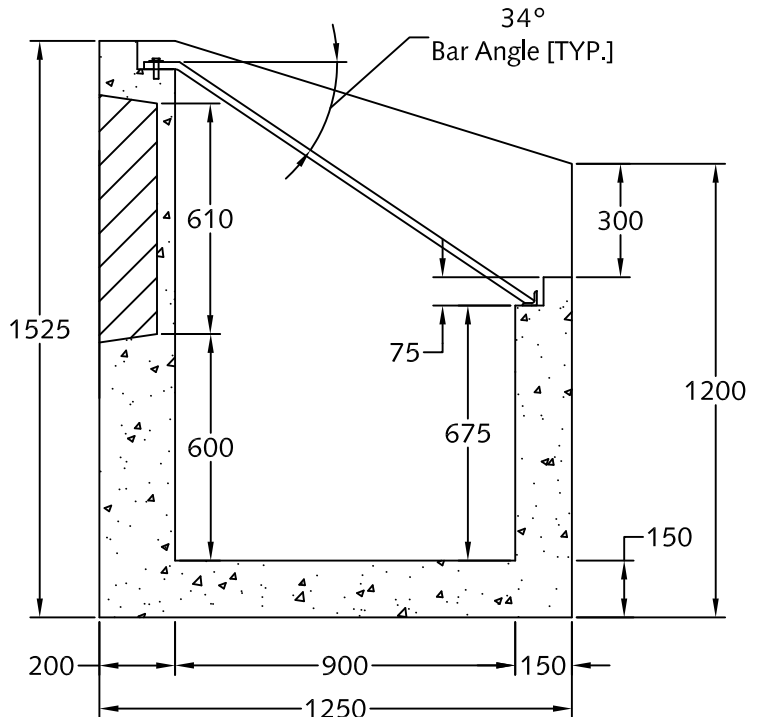


Plan View



Elevation View



Section A-A

Notes:

1. HW SP582-04.01 to be built as shown.
[Note: SP582-04.01 HW is equivalent to SP219]
2. Unit c/w $\varnothing 610$ mm knockout core for inlet-outlet as shown.
3. Suggested for pipe sizes to a maximum $\varnothing 450$ mm concrete pipe.
4. Bolt on hinged grills are available upon request.
5. Each unit c/w lifting inserts as required.
6. Approximate weight: 2,125 kg.
7. Minimum rebar yield strength: 414 MPa.
8. Minimum concrete strength: 28 MPa.
9. All dimensions are in millimeters.



DESCRIPTION:

SP582-04.01 Headwall Structure

www.langleyconcretegroup.com

DRAWN BY:	KS	ORIGIN:	LOMBARD
CHK BY:	JAO/SW	DWG NO:	HW-SP582-04.01
DATE:	MAR/04/2010	REV DATE:	
SCALE:	1:20		N/A

This drawing is the property of the Langley Concrete Group of Companies. All information contained herein is confidential and may not be used in whole or in part without written permission from the owner.