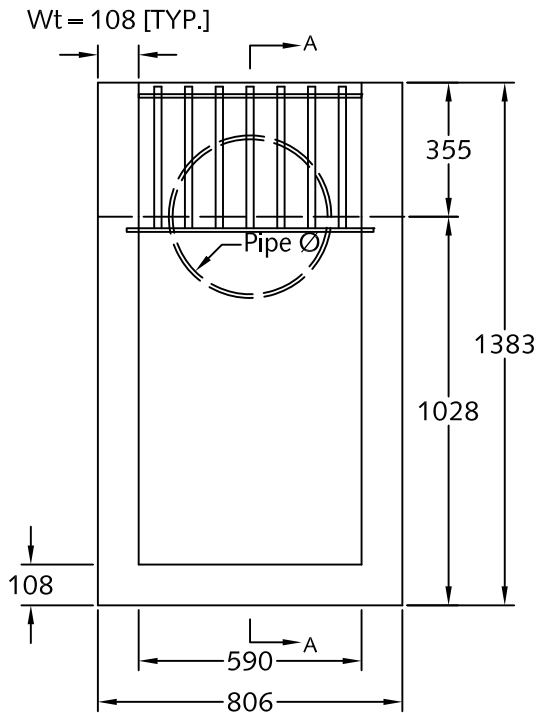
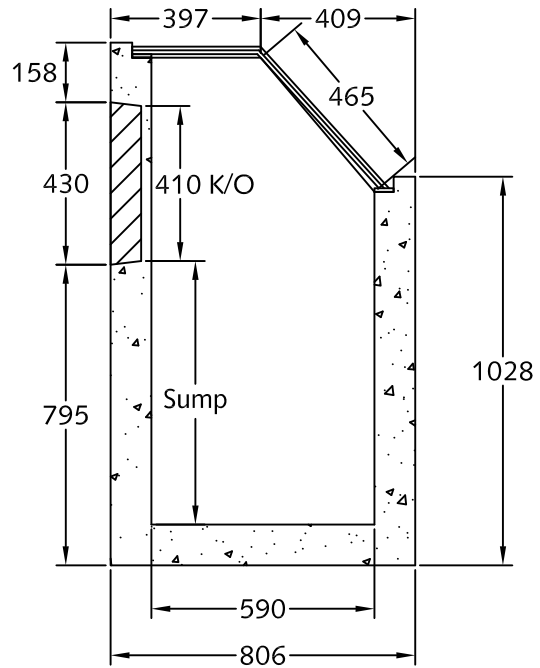


Plan View



Elevation View



Section A-A

Notes:

1. Type I Ditch Inlet structure to be built as shown.
2. Suggested pipe sizes to a maximum 450 mm diameter.
3. Unit supplied w/ lifting inserts as required.
4. Bolt on hinged grills are available upon request
[See drawing no. Grillage-HW TI for detail].
5. Approximate weight: 1125 kg.
6. Minimum rebar yield strength: 414 MPa.
7. Minimum concrete strength: 28 MPa.
8. All dimensions are in millimeters.



The LANGLEY CONCRETE Group of Companies

DESCRIPTION:

Type I Ditch Inlet Structure

www.langleyconcretegroup.com

DRAWN BY:	KS	ORIGIN:	CHWK
CHK BY:	SW	DWG NO:	HW-T1-1.0
DATE:	MAY/22/2009	REV DATE:	2. JULY/15/2010
SCALE:	1:20		

This drawing is the property of the Langley Concrete Group of Companies. All information contained herein is confidential and may not be used in whole or in part without written permission from the owner.