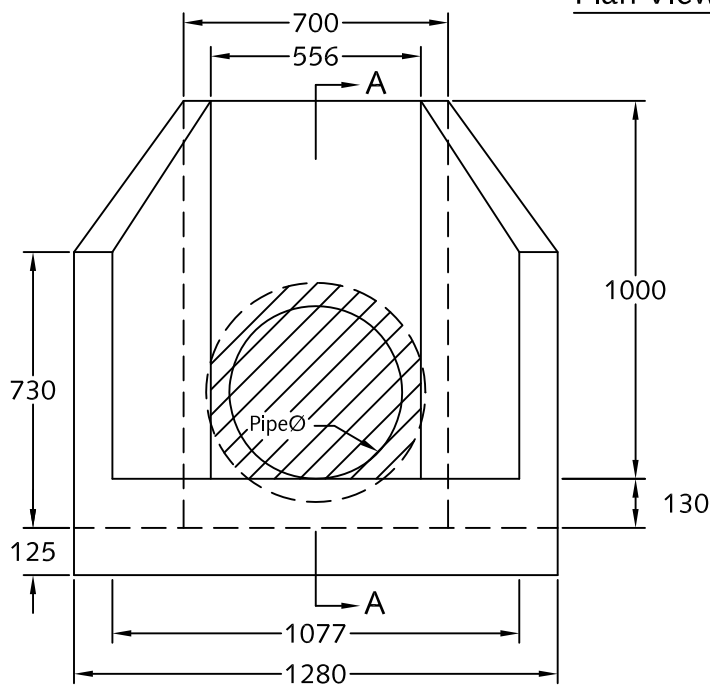
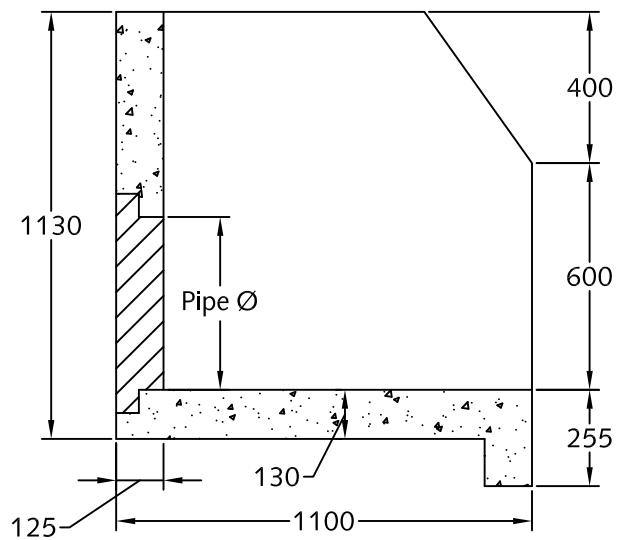


Plan View



Elevation View



Section A-A

Notes:

1. Type-II Headwall Structure to be built as shown.
2. Unit c/w rough core for inlet/outlet as shown.
3. Suggested for pipe sizes to a maximum 450 mm diameter.
4. Structure c/w bolt anchors for grills and handrails.
5. Bolt on Inlet or Outlet grills and handrails are available upon request.
6. Unit supplied with lifting inserts as required.
7. Approximate mass: 1,010 kg.
8. Minimum rebar yield strength: 414 MPa.
9. Minimum concrete strength: 28 MPa.
10. All dimensions are in millimeters.



The LANGLEY CONCRETE Group of Companies

DESCRIPTION:

Type II Headwall Structure

www.langleyconcretegroup.com

DRAWN BY: KS ORIGIN: CHWK

CHK BY: JAO/SW DWG NO: HW-TII-1.0

DATE: FEB/09/2010 REV DATE:

SCALE: 1:20 N/A

This drawing is the property of the Langley Concrete Group of Companies. All information contained herein is confidential and may not be used in whole or in part without written permission from the owner.