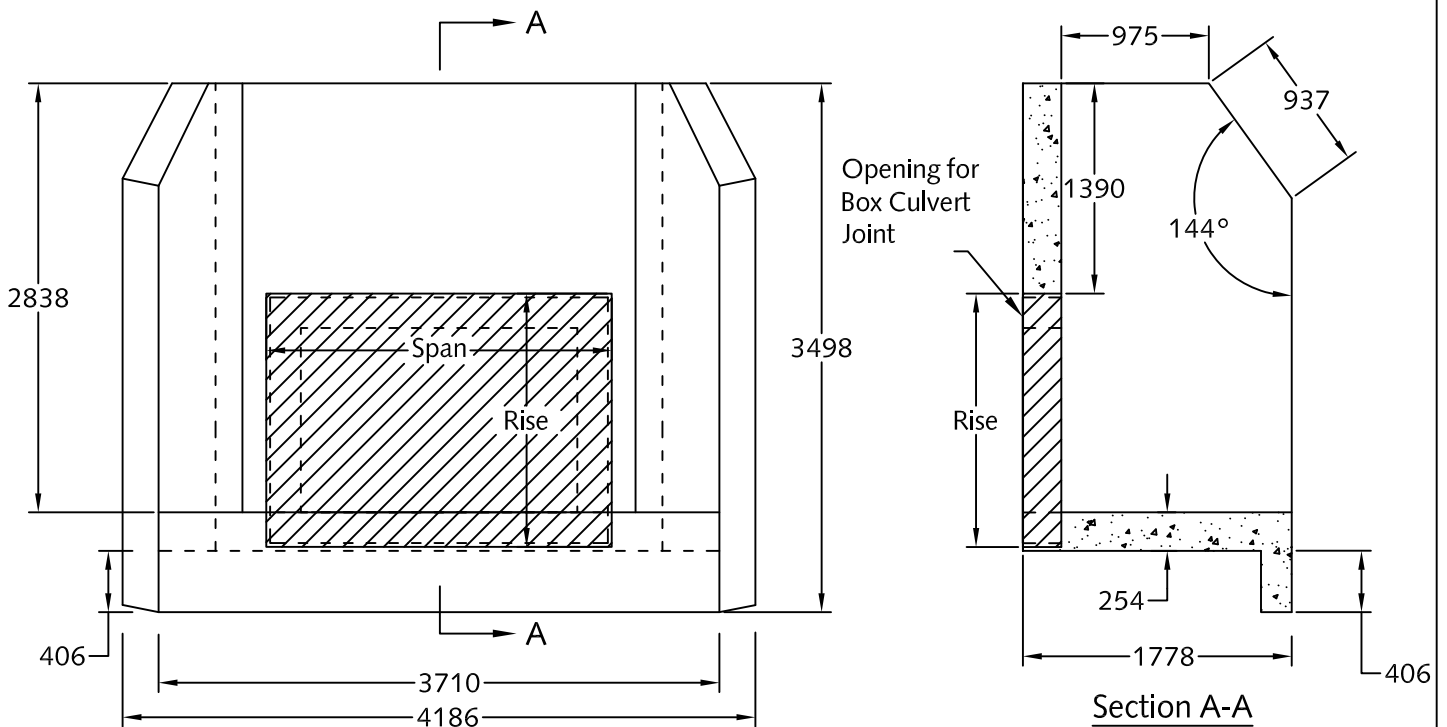


Plan View



Elevation View

Section A-A

Notes:

1. HW 26-28 to be built as shown.
2. Headwall to have opening for inlet/outlet as shown.
3. Unit c/w lifting inserts as required.
4. Structure c/w bolted anchors for grills and handrails.
5. Approximate weight: 12500 kg
6. Minimum rebar yield strength: 414 MPa.
7. Welded wire mesh min. yield strength: 448 MPa.
8. Min. Concrete Strength: 28 MPa.
9. All dimensions are in millimeters.



DESCRIPTION:

HW26-28  
w/ Opening for Box Culvert

www.langleyconcretegroup.com

DRAWN BY:	KS	ORIGIN:	CHWK
CHK BY:	JDB/SW	DWG NO:	HW26-28-BCO
DATE:	SEPT/22/2009	REV DATE:	N/A
SCALE:	1:50		

This drawing is the property of the Langley Concrete Group of Companies. All information contained herein is confidential and may not be used in whole or in part without written permission from the owner.