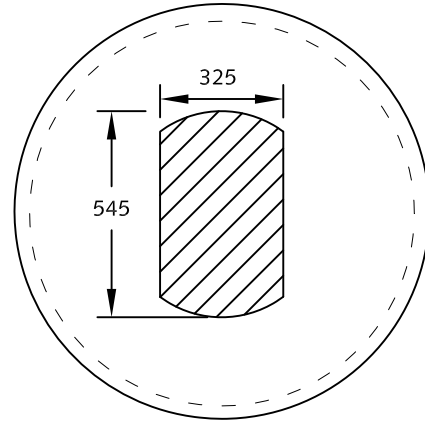
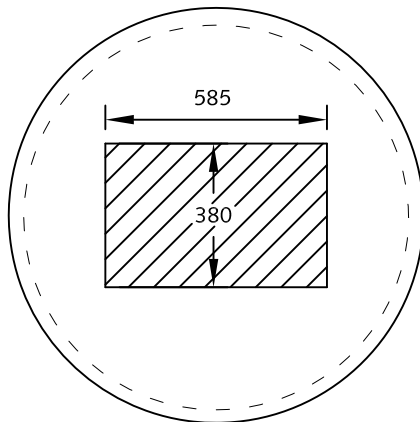


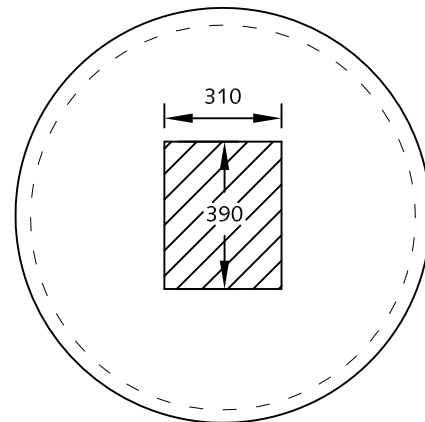
Standard Manhole Openings for:
TR18, TR20 or TR26 Frames



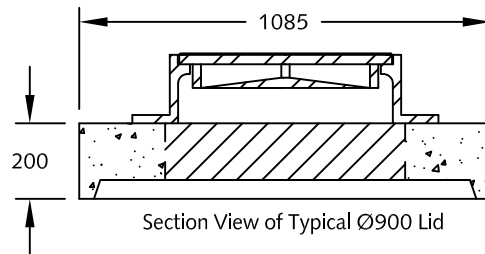
Standard Curb Style Opening for:
TR23/24 Frame & Grate



Standard Highways Style Opening for:
TR19A Single Frame



Standard Inlet Opening for:
TR25A Frame & Grate



Notes:

1. Lids with casting openings shown available for:
Ø600 - 900 catchbasins
Ø1050 - 3050 manholes
2. Lids are designed to meet H20 loading requirements.
3. Custom design lids available with hatch openings, cast in hatches, etc. Please contact sales offices for details and pricing.
4. Lids supplied with lifting inserts for chains or lifting clutches according to weights.
5. Min. concrete strength @ 7 days: 35MPa.



DESCRIPTION:

Openings in Manhole/CB Lids

DRAWN BY:	JAO	ORIGIN:	CHWK
SCALE:	1:20	DRAWING NO.:	L900-1
DATE:	02/09/16		
<small>This drawing is the property of the Langley Concrete Group of Companies. All information contained herein is confidential and may not be used in whole or in part without written permission from the owner.</small>			