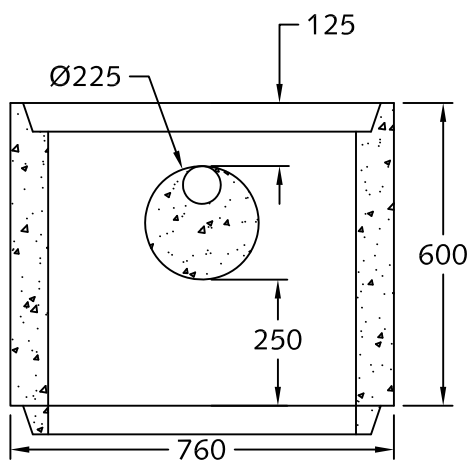
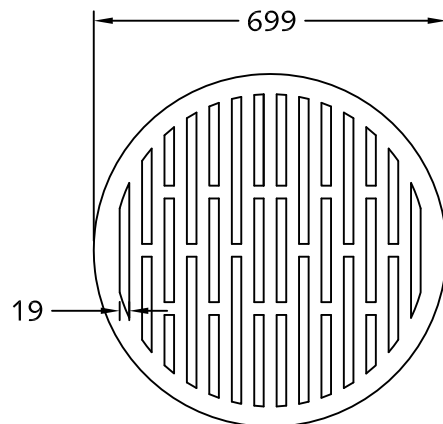


Plan View of Lawnbasin



Section View of Lawnbasin

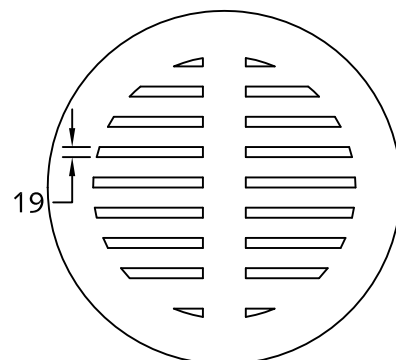


Plan View of TR22B Grate



Section View of Grate

TR22B Grate meets H20 live loading spec.



Plan View of Concrete Grate



Section View of Grate

Concrete Lid for Non-Traffic only

Notes:

1. 600x600 C478 Lawnbasin as shown.
2. Ø225mm knockout core to be placed as shown.
3. Ø75mm lift hole to be placed opposite to core.
4. Lawnbasin will accept B-22B cast iron grate or concrete slotted lid.
5. Approx. weight: 290 kgs.
6. Min. concrete strength: 27.5MPa.



DESCRIPTION:

600x600 Lawnbasin

DRAWN BY: JAO

ORIGIN: CHWK

SCALE: 1:15

DRAWING NO:

DATE: 03/25/02

LB-4

This drawing is the property of the Langley Concrete Group of Companies. All information contained herein is confidential and may not be used in whole or in part without written permission from the owner.