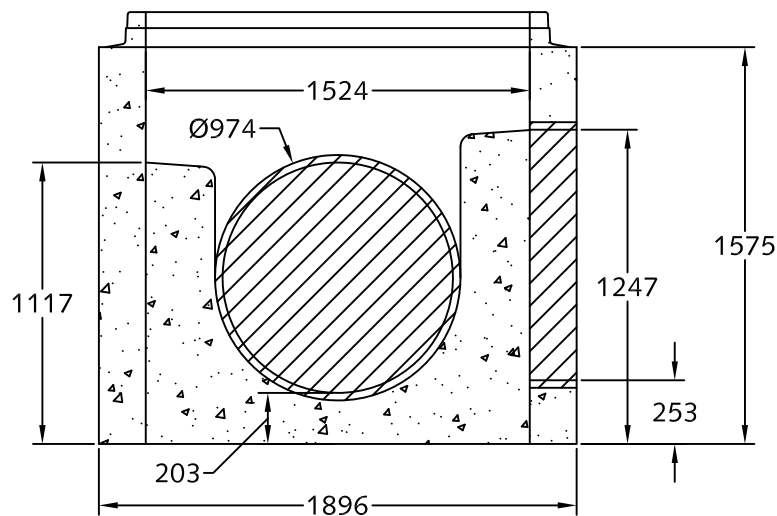


Plan View



Section View

Notes:

1. Monolithically prebench base to be built to ASTM C478M-07, C923M-07 and C443M-07 specification.
2. Minimum base slab thickness to be 203mm.
3. Benching supplied to provide smooth surfaces from inlet invert to outlet.
4. Approximate mass: 11,000 kg.
5. Unit supplied w/ lifting inserts as required.
6. Minimum 25mm fall required from inlet to outlet.
7. Minimum rebar yield strength: 414 MPa.
8. Minimum WWF yield strength: 448 MPa.
9. Minimum concrete strength: 27.6 Mpa.
10. All dimensions are in millimeters.



DESCRIPTION:

Ø1500
PreBench MH [90°]

DRAWN BY:	KS	ORIGIN:	CHWK
CHK BY:	SM/JDB	DWG NO:	1500PBB-90°
DATE:	OCT/21/2009	REV DATE:	
SCALE:	1:30		N/A

This drawing is the property of the Langley Concrete Group of Companies. All information contained herein is confidential and may not be used in whole or in part without written permission from the owner.