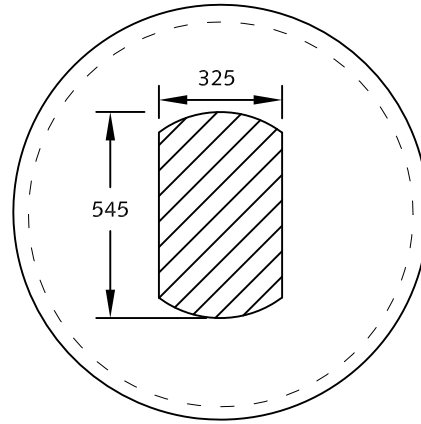
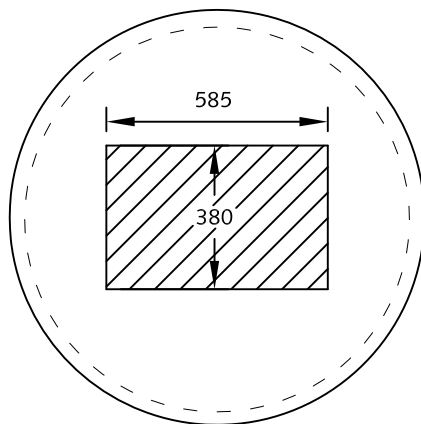


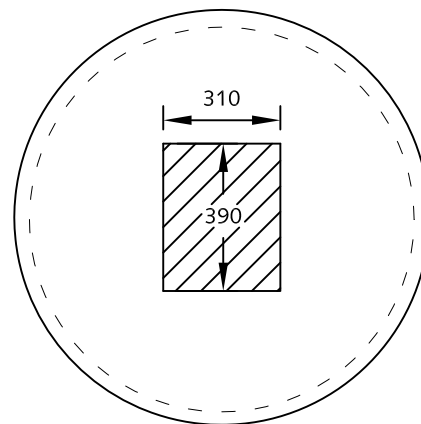
Standard Manhole Access openings
Used for Cast Iron Frames
TR18, TR20 or TR26B
Available in CB/MH diameters: Ø900,
1050 - 3050. See DWG "MHL-1"



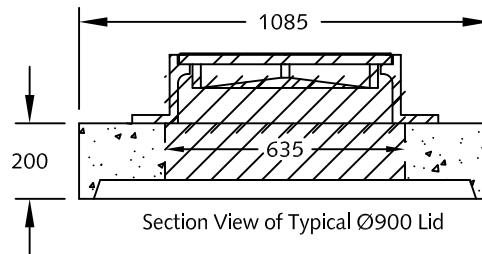
'Curb Style' Opening for use with
TR 23/24 Style Frame & Grate
Available for Ø600 & 750
Catchbasins



'MOT Style' Opening for use with
TR 19A Style Frame & Grate
Available for Ø600, 750 & 900
Catchbasins



Standard Opening for use with
TR 25A Style Frame & Grate
Available for Ø600 Catchbasins



Notes:

1. Lids with casting openings shown available for:
Ø600 - 900 catchbasins
Ø1050 - 3050 manholes
2. Lids are designed to meet HS-20 loading requirements.
3. Custom design lids available with hatch openings, cast in hatches, etc. Please contact sales offices for details and pricing.
4. Lids supplied with lifting inserts for handling.
5. Min. concrete strength: 28MPa.



DESCRIPTION:
**Openings in Manhole/CB Lids
Typical**
www.langleyconcretegroup.com

DRAWN BY:	JAO	ORIGIN:	CHWK
SCALE:	1:20	DRAWING NO.:	L900-1
DATE:	Sep/16/2009		
<small>This drawing is the property of the Langley Concrete Group of Companies. All information contained herein is confidential and may not be used in whole or in part without written permission from the owner.</small>			