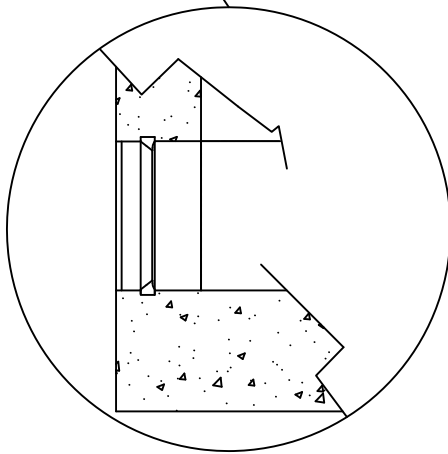
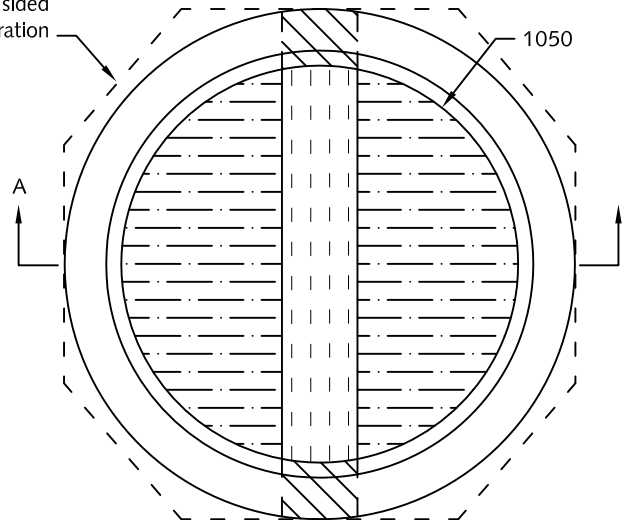


Section A-A



Pipe to manhole connector detail for SDR PVC pipe, others available.

Bases with  $> \text{Ø}375\text{mm}$  inlet/outlets require flat sided configuration



Plan View

Notes:

1. Manufactured to ASTM C478, C923M Specs.
2. Min. concrete strength: 35 MPa.
3. Reinforcing in walls and bottom slab.
4. Min. 150mm wall on base section.
5. Min. 150mm thickness below pipe invert.
6. All benching has metal trowel finish.
7. Min. 25 mm fall carried through base.
8. All dimensions in millimeters.



DESCRIPTION:

Prebenched Manhole Base Detail

[www.langleyconcretegroup.com](http://www.langleyconcretegroup.com)

DRAWN BY: JAO

ORIGIN: CHWK

SCALE: 1:20

DRAWING NO:

DATE: Sep/13/2009

This drawing is the property of the Langley Concrete Group of Companies. All information contained herein is confidential and may not be used in whole or in part without written permission from the owner.

Mhb-1

LANGLEY (604)533-1656

VICTORIA (250) 478-9581

CHILLIWACK 1-800-667-9600