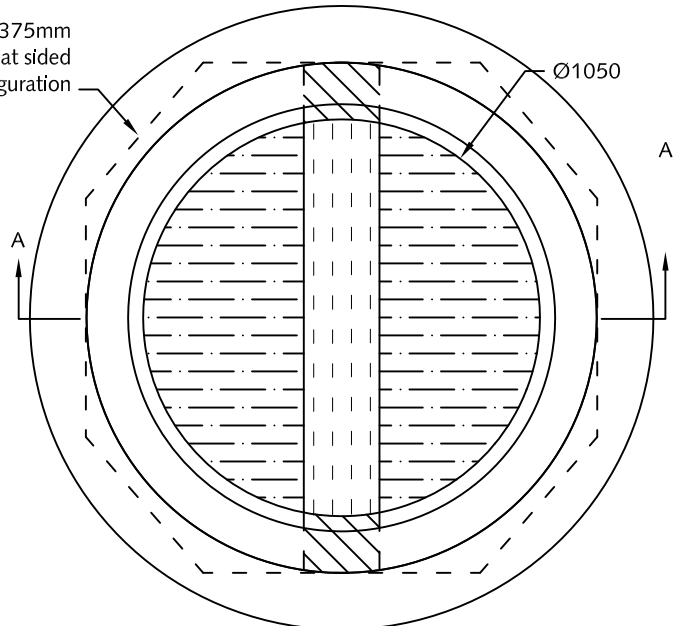


Pipe to manhole connector detail
for SDR PVC pipe, others available.

Bases with $> \text{Ø}375\text{mm}$
inlet/outlets require flat sided
configuration



Plan View

Notes:

1. Manufactured to ASTM C478, C923M Specs.
2. Min. concrete strength: 27.5 MPa.
3. Reinforcing in walls and bottom slab.
4. Min. 150mm wall on base section.
5. Min. 150mm thick below pipe invert.
6. All benching has metal trowel finish.
7. Min. 25 mm fall carried through base.
8. Extended base configuration available upon request.
9. All dimensions in millimeters.



DESCRIPTION:

Prebenched Manhole Base
Extended Base Detail

www.langleyconcretegroup.com

DRAWN BY:	JAO	ORIGIN:	CHWK
SCALE:	1:20	DRAWING NO.:	Mhb-2
DATE:	MAR/02/09		

This drawing is the property of the Langley Concrete Group of Companies. All information contained herein is confidential and may not be used in whole or in part without written permission from the owner.