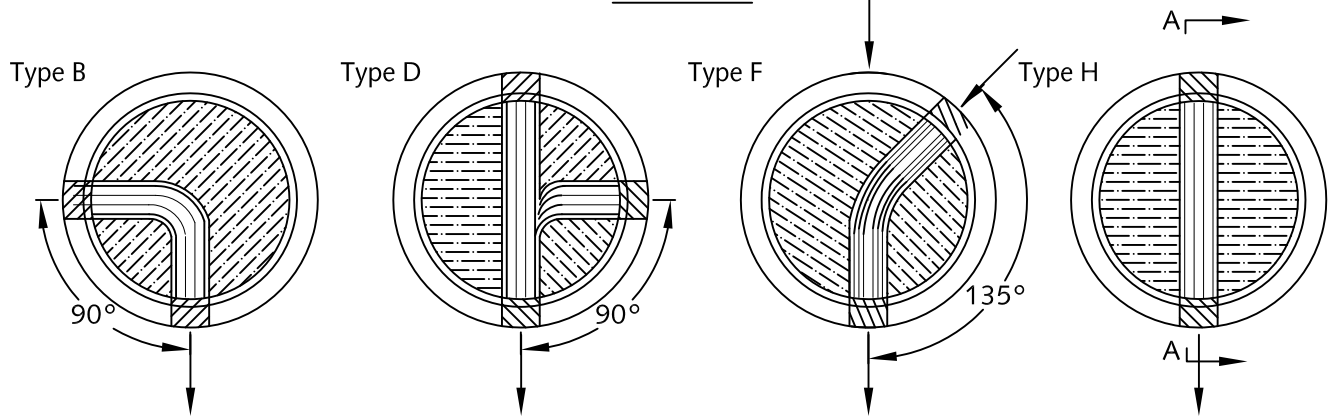


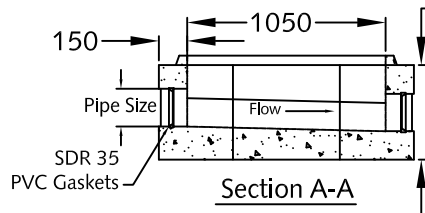
Typical Prebenched Manhole Bases
Plan View



| Typical Prebenched Sanitary Manhole Base | | | | | | | | |
|--|--------|--------|--------|--------|--------|--------|--------|--------|
| SDR 35 PVC Pipe Size | Type A | Type B | Type C | Type D | Type E | Type F | Type G | Type H |
| Ø200 | Y | Y | Y | Y | Y | Y | Y | Y |
| Ø250 | Y | Y | N | N | N | N | N | Y |
| Ø300 | Y | Y | N | N | N | N | N | Y |
| Ø375 | N | N | N | N | N | N | N | Y |
| Ø450 | N | N | N | N | N | N | N | Y |

Y = Available from Stock, N = Custom Build

- Base Heights:
- Ø150 = 560mm
 - Ø200 = 560mm
 - Ø250 = 560mm
 - Ø300 = 685mm
 - Ø375 = 754mm
 - Ø450 = 940mm



Notes:

1. Prebenched manhole bases available from stock in standard configurations as shown.
2. Bases manufactured to ASTM C478, C923, C443, specifications.
3. Other Sizes and configurations of pre-benched bases available as custom builds.
4. Prebenched manholes require min. 25mm[1"] of fall between inverts.
5. Benching complete with sealed smooth concrete surfaces sloped to meet MMCD spec.
6. Bases supplied with gasketed cores for pipe insertion unless otherwise specified.
7. Please call sales offices for lead times for custom builds not shown.
8. Other piping material openings are available, i.e. DWV, HDPE, etc.
9. Min. concrete strength: 28MPa.



DESCRIPTION:

Typical Prebenched Manhole Base Configurations

www.langleyconcretegroup.com

| | | | |
|---|-------------|---------------------|-------|
| DRAWN BY: | JAO | ORIGIN: | CHWK |
| SCALE: | 1:40 | DRAWING NO.: | Mhb-3 |
| DATE: | Nov/12/2009 | | |
| <small>This drawing is the property of the Langley Concrete Group of Companies. All information contained herein is confidential and may not be used in whole or in part without written permission from the owner.</small> | | | |