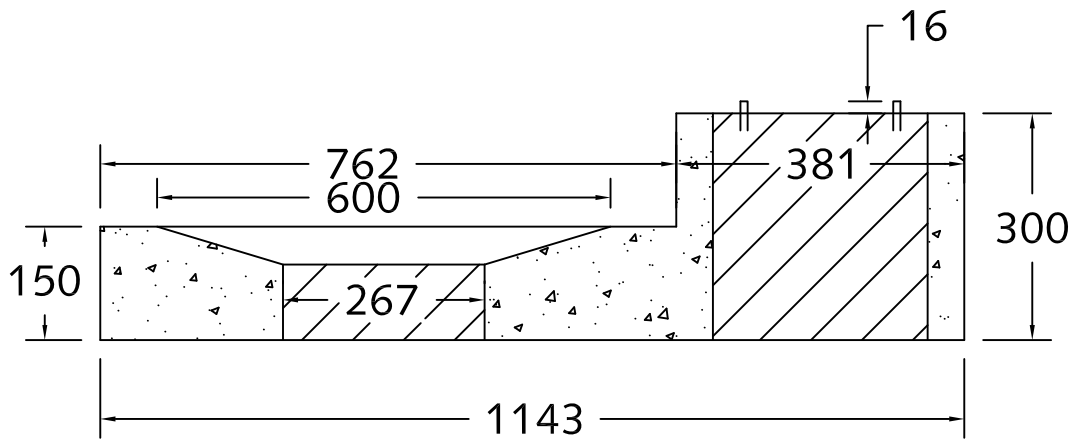


Plan View



Section A-A

Notes:

1. Pedestal unit available as a custom non-stock item.
2. Pedestal to have sloped hole as shown.
3. 3/8" bolts placed as shown.
4. Min. concrete strength 34.5 MPa.



DESCRIPTION:

**RV Pedestal**  
[www.langleyconcretegroup.com](http://www.langleyconcretegroup.com)

DRAWN BY: JAO

ORIGIN: LC&T

SCALE: 1:10

DRAWING NO:

DATE: Dec/17/2009

RVP-1.0

This drawing is the property of the Langley Concrete Group of Companies. All information contained herein is confidential and may not be used in whole or in part without written permission from the owner.