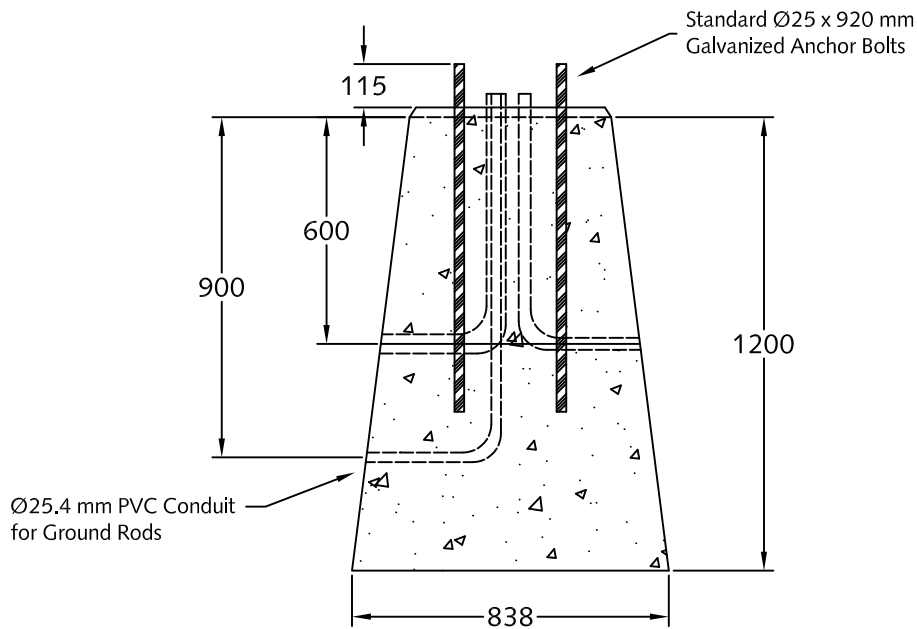


Plan View



Side View

Notes:

1. 1200 mm Service concrete pole base to be built as shown.
2. Concrete base to have standard 4-Ø25 x 914 mm, 270 mm c/c galvanized bolts inserted as shown.
3. Concrete base to have 1-Ø51, 2-Ø32 & 1-Ø25 mm PVC conduits inserted as shown.
4. Unit c/w lifting inserts as required.
5. Approximate mass: 1,020 kg.
6. Minimum concrete strength: 27.6 MPa.
7. All dimensions are in millimeters.



The LANGLEY CONCRETE Group of Companies

DESCRIPTION:

1200 mm
Service Pole Base

DRAWN BY: KS ORIGIN: CHWK

CHK BY: JDB/SW DWG NO:

DATE: FEB/26/2010 SPB-1200

SCALE: 1:20 REV DATE: N/A

This drawing is the property of the Langley Concrete Group of Companies. All information contained herein is confidential and may not be used in whole or in part without written permission from the owner.