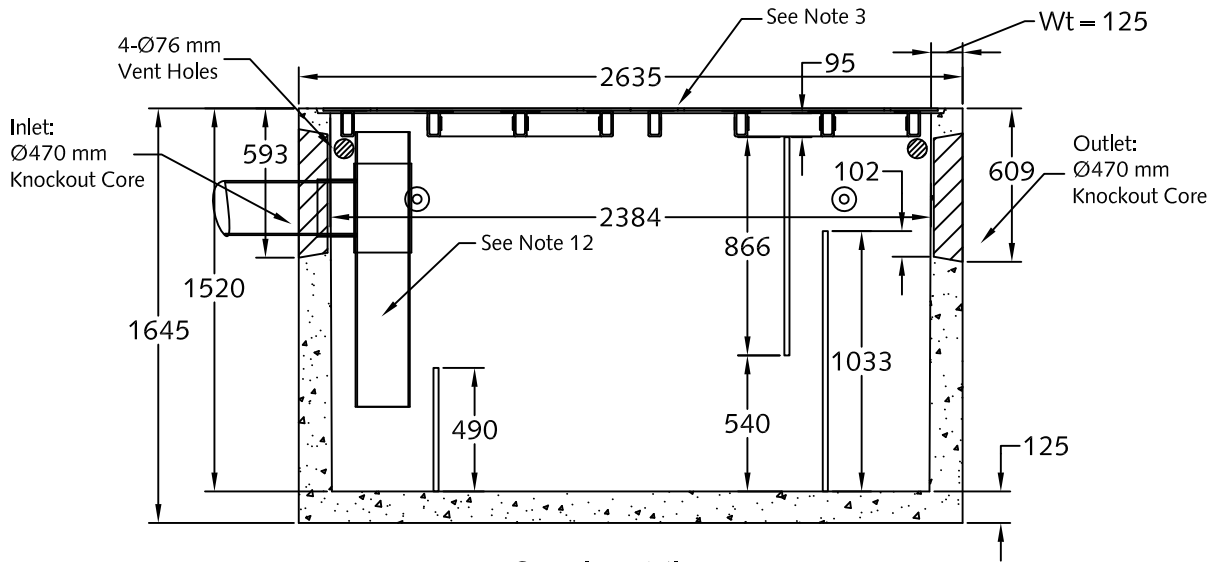


Plan View



Section View

Notes:

1. Type II Oil interceptor [API Style] manufactured to meet AASHTO HS20 live loading.
2. Unit dimensions are 2.38 x 0.92 x 1.52 m.
3. Steel Checker Plate lid manufactured for AASHTO HS20 occasional traffic loading.
4. Unit c/w Ø470 mm knockout cores for inlet/outlets as shown.
5. Unit risers available in heights: 300, 450 etc. to 1050 mm maximum.
6. Unit supplied w/ 4-Ø76 mm vent holes as shown.
7. Oil interceptor c/w 12 gauge galvanized baffles as shown.
8. Unit has a maximum 2,000 liter [2.0 m³] capacity.
9. Unit c/w 5T lifting inserts as shown.
10. Unit c/w ladder rungs upon request.
11. PVC required by design, installed by others in field.
12. Design can be modified for specific application, please contact LCG sales office.
13. Approximate weight:
 - Lid: 1,350 kg.
 - Chamber: 4,220 kg.
14. Minimum rebar yield strength: 414 MPa.
15. Minimum concrete strength: 35 MPa.
16. All dimensions are in millimeters.



The LANGLEY CONCRETE Group of Companies

DESCRIPTION:

TYPE II Oil Interceptor [API]
w/Checker Plate Cover

www.langleyconcretegroup.com

DRAWN BY: KS ORIGIN: CHWK

CHK BY: JDB/SW/JAO DWG NO:

DATE: JAN/11/2010 TYPE II-API-2.0

SCALE: 1:30 REV DATE:

4. NOV/01/2010

This drawing is the property of the Langley Concrete Group of Companies. All information contained herein is confidential and may not be used in whole or in part without written permission from the owner.

LANGLEY (604) 533-1656 VICTORIA (250) 478-9581 CHILLIWACK 1-800 667-9600