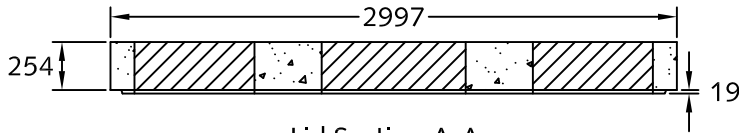
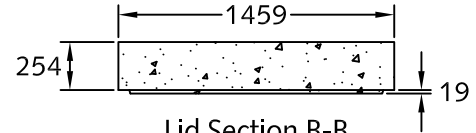


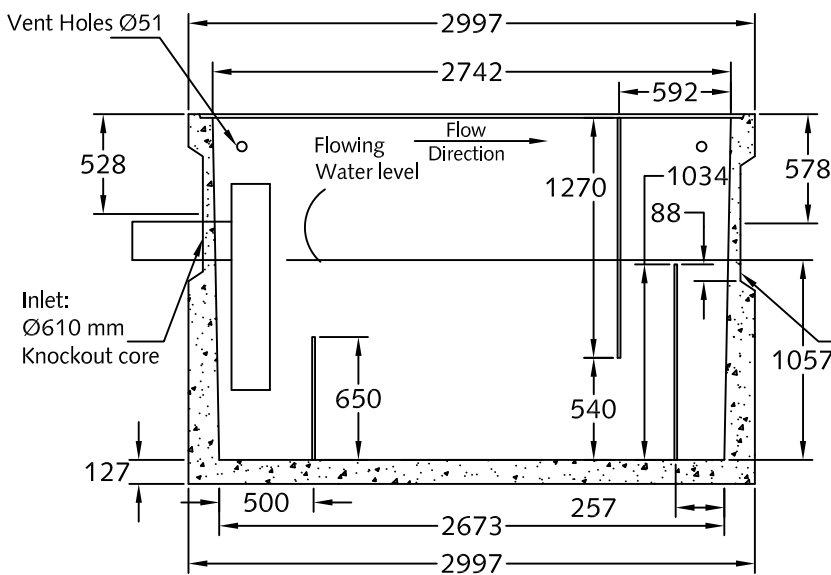
Plan View



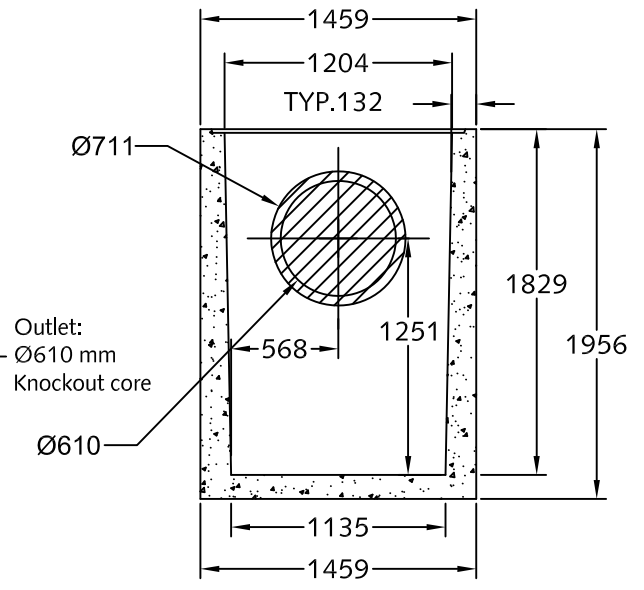
Lid Section A-A



Lid Section B-B



Section A-A



Section B-B

Notes:

1. Type III Oil interceptor manufactured for AASHTO HS20 live loading as shown.
2. Unit dimensions are 2.7 x 1.2 x 1.8 m.
3. 254 mm Thickness reinforced concrete lid manufactured for AASHTO HS20 live loading.
4. Unit c/w Ø610 mm knockout cores for inlet/outlet flow.
5. Unit c/w 2-Ø635 mm and 1-Ø762 mm opening access.
6. Unit to have 4-Ø51 mm vent holes as shown.
7. Unit c/w galvanized baffles as shown.
8. Unit c/w lifting inserts as required.
9. Unit has a maximum 3,000 liter [3.0 m³] capacity.
10. Ladder rungs to be provided as shown.
11. Approximate mass:
 - Lid: 2865 kg.
 - Chamber: 6790 kg
12. Minimum rebar yield strength: 414 MPa.
13. Minimum concrete strength: 35 MPa.
14. All dimensions are in millimeters.



The LANGLEY CONCRETE Group of Companies

DESCRIPTION:

Type III Oil Interceptor
API Style

www.langleyconcretegroup.com

DRAWN BY:	KS	ORIGIN:	CHWK
CHK BY:	JAO/JDB/SW	DWG NO:	TYPE III-API
DATE:	NOV/24/2008	REV DATE:	2. NOV/01/2010
SCALE:	1:40		

This drawing is the property of the Langley Concrete Group of Companies. All information contained herein is confidential and may not be used in whole or in part without written permission from the owner.