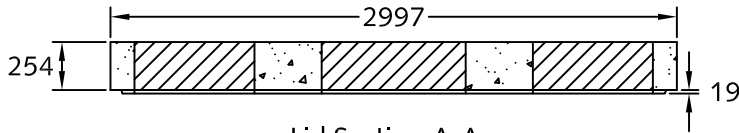
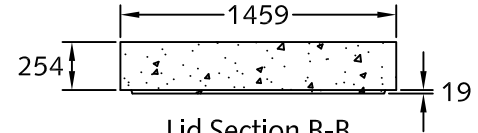


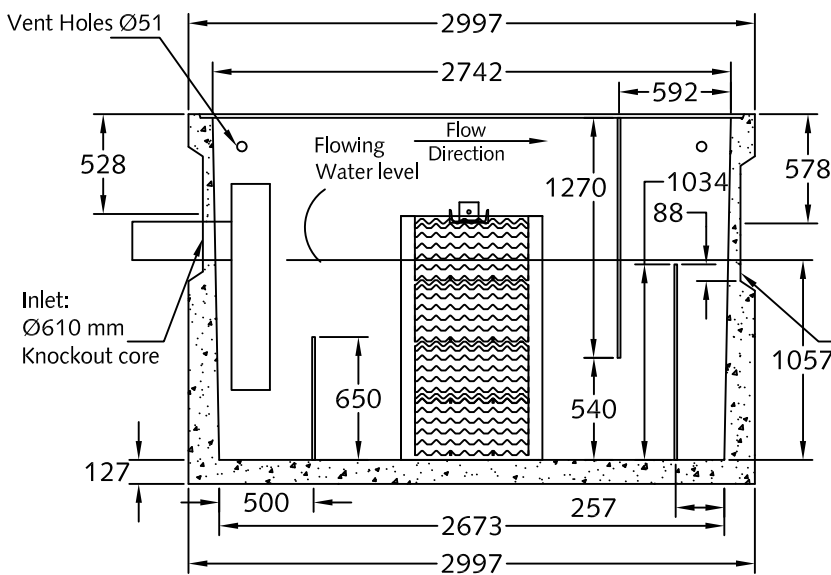
Plan View



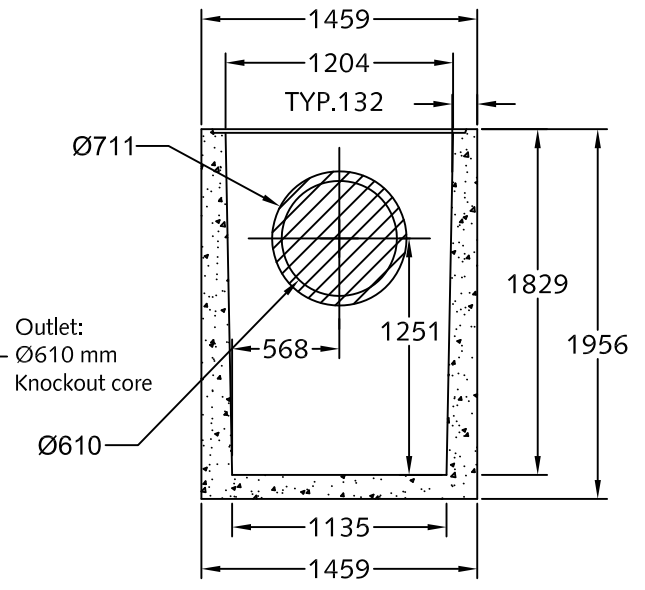
Lid Section A-A



Lid Section B-B



Section A-A



Section B-B

Notes:

1. Type III-16 mm spacing, Oil interceptor manufactured for AASHTO HS20 live loading as shown.
2. Unit dimensions are 2.7 x 1.2 x 1.8 m.
3. Reinforced concrete lid manufactured for AASHTO HS20 live loading.
4. Unit c/w Ø610 mm knockout cores for inlet/outlet flow.
5. Unit c/w 2-Ø635 mm and 1-Ø762 mm opening access.
6. Unit to have 4-Ø51 mm vent holes as shown.
7. Unit c/w galvanized baffles as shown.
8. Unit c/w lifting inserts as required.
9. Unit c/w ladder rungs upon request.
10. PVC required by design, installed by others in field.
11. Design can be modified for specific application, please contact LCG sales office.
12. Unit has a maximum 3,000 liter [3.0 m³] capacity.

13. Unit design to:

- Temp.: 0°C.
- Oil S.G.: 0.85
- Influent oil = 100 mg/l.
- Effluent oil <= 15 mg/l.
- Max. flow: 13.5 l/sec.

14. Unit c/w ladder rungs as required.

15. Approximate mass:

- Lid: 2,865 kg.
- Chamber: 6,790 kg.
- Chamber w/Baffles: 6,821 kg.

16. Minimum rebar yield strength: 414 MPa.

17. Minimum concrete strength: 35 MPa.

18. All dimensions are in millimeters.



The LANGLEY CONCRETE Group of Companies

DESCRIPTION:

Type III Coalescing Plate Oil Interceptor
16 mm Spacing

www.langleyconcretegroup.com

DRAWN BY:	KS	ORIGIN:	CHWK
CHK BY:	JAO/JDB/SW	DWG NO:	
DATE:	NOV/24/2008	TYPE III-COI-16	
SCALE:	1:40	REV DATE:	4, NOV/01/2010

This drawing is the property of the Langley Concrete Group of Companies. All Information contained herein is confidential and may not be used in whole or in part without written permission from the owner.