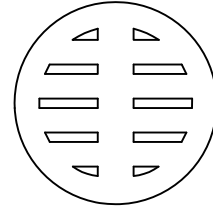
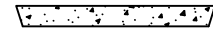


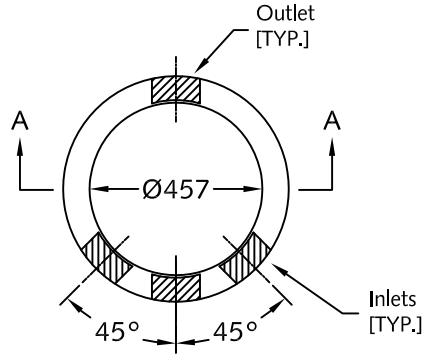
TR 27 Cast Iron Grate



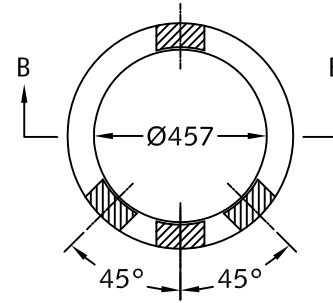
Slotted Concrete Lid



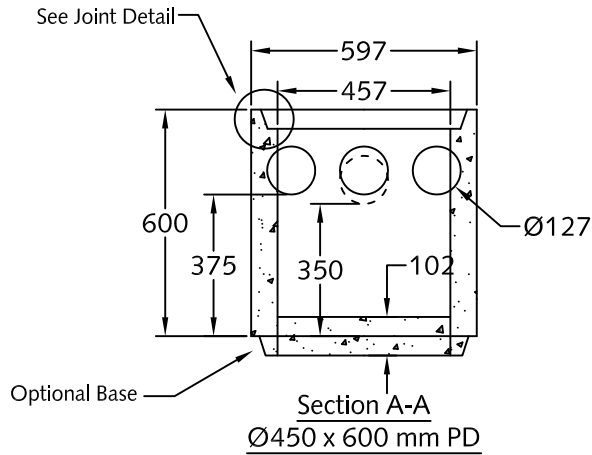
Standard Light Lid



Plan View

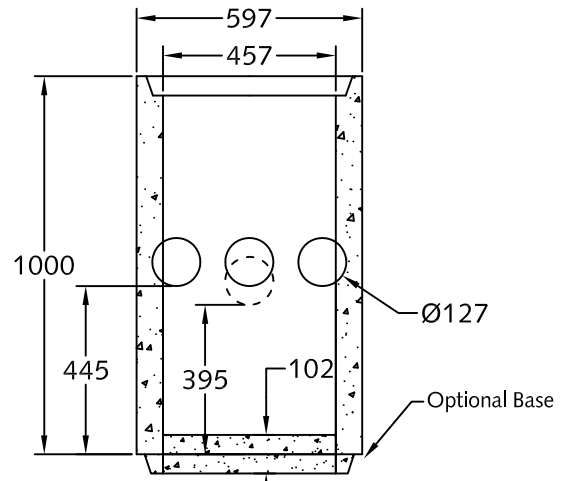


Plan View



Section A-A
Ø450 x 600 mm PD

- Approximate weight:
- Ø450 x 600 mm: 172 kg.
 - w/ Base: 215 kg



Section B-B
Ø450 x 1000 mm PD

- Approximate weight:
- Ø450 x 600 mm: 290 kg.
 - w/ Base: 335 kg

Notes:

1. Ø450 x 600 & Ø450 x 1000 mm Perimeter drains as shown.
2. Perimeter Drains are not intended for use in vehicular traffic areas.
3. Available with 100mm thick cast in base.
4. Light lids, slotted are not rated for vehicular traffic.
5. Lids c/w recessed handles for lifting.
6. Unit c/w rough cores for drainage pipe.
7. Risers available: 150, 300, 450, 600 & 1200 mm heights.
8. Minimum concrete strength: 27.6 MPa.
9. All dimensions are in millimeters.



DESCRIPTION:

Ø450 mm-Perimeter Drains

www.langleyconcretegroup.com

DRAWN BY:	KS	ORIGIN:	CHWK
CHK BY:	JAO/TM	DWG NO:	PD-1
DATE:	APR/21/2010	REV DATE:	N/A
SCALE:	1:20		

This drawing is the property of the Langley Concrete Group of Companies. All information contained herein is confidential and may not be used in whole or in part without written permission from the owner.