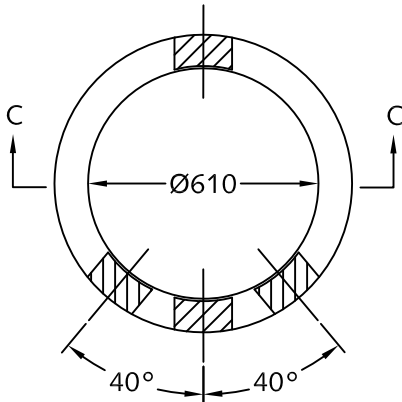


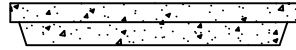


**Non-H2O 'Light Lid'**

Approximate Weight: 65 kg

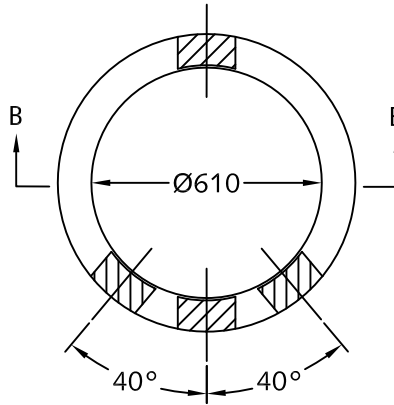


Plan View

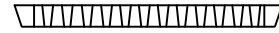


**Concrete 'Double Lid'**

Approximate Weight: 105 kg

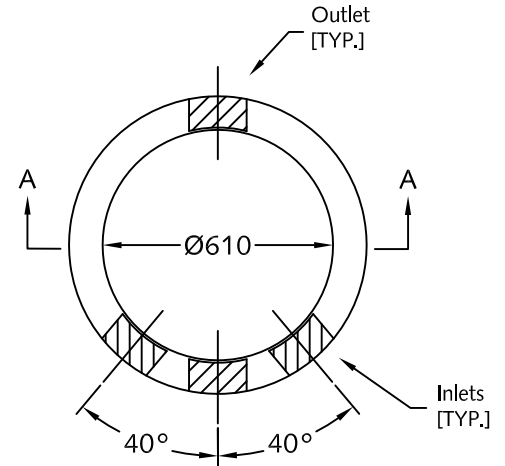


Plan View

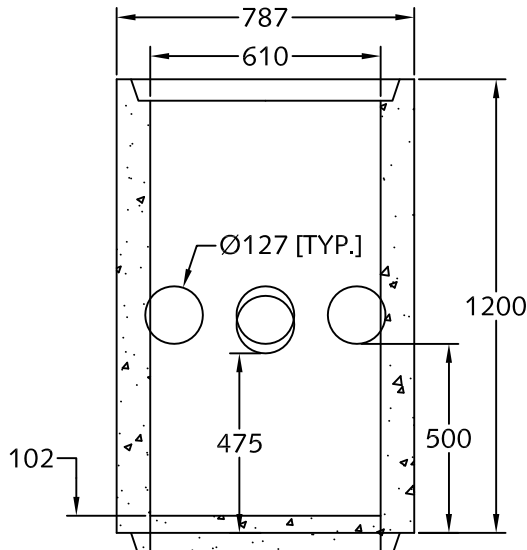


**TR22B Cast Iron H2O Grate**

Approximate Weight: 63 kg

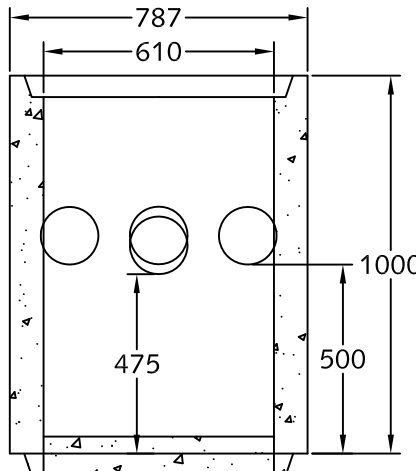


Plan View



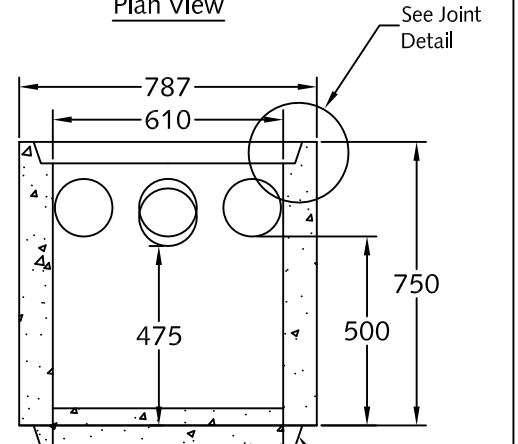
Section C-C  
Ø600 x 1200 mm PD

- Approximate weight:
- Ø600 x 1200 mm: 585 kg.
  - w/ Base: 660 kg



Section B-B  
Ø600 x 1000 mm PD

- Approximate weight:
- Ø600 x 1000 mm: 485 kg.
  - w/ Base: 560 kg

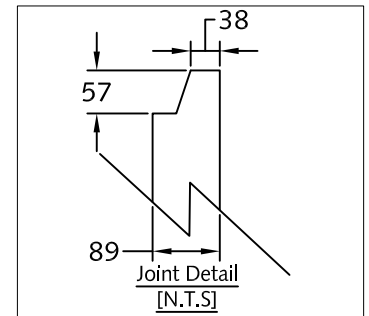


Section A-A  
Ø600 x 750 mm PD

- Approximate weight:
- Ø600 x 750 mm: 365 kg.
  - w/ Base: 445 kg

**Notes:**

1. Ø600 x 750, Ø600 x 1000 & Ø600 x 1200 mm Perimeter drains as shown.
2. Perimeter Drains are not intended for use in vehicular traffic areas.
3. Available with 100mm thick cast in base.
4. Light lids, slotted are not rated for vehicular traffic.
5. Lids c/w recessed handles for lifting.
6. Unit c/w rough cores for drainage pipe as shown.
7. Risers available: 150, 300, 450, 600, 750 & 1200 mm heights.
8. Minimum concrete strength: 27.6 MPa.
9. All dimensions are in millimeters.



The LANGLEY CONCRETE Group of Companies

**DESCRIPTION:**

**Ø600 mm-Perimeter Drains**

[www.langleyconcretegroup.com](http://www.langleyconcretegroup.com)

DRAWN BY:	KS	ORIGIN:	CHWK
CHK BY:	JAO/TM	DWG NO:	PD-2
DATE:	APR/21/2010	REV DATE:	N/A
SCALE:	1:20		

This drawing is the property of the Langley Concrete Group of Companies. All information contained herein is confidential and may not be used in whole or in part without written permission from the owner.