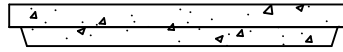


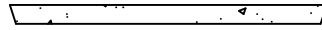
Inspection Lid

Approximate Weight: 195 kg



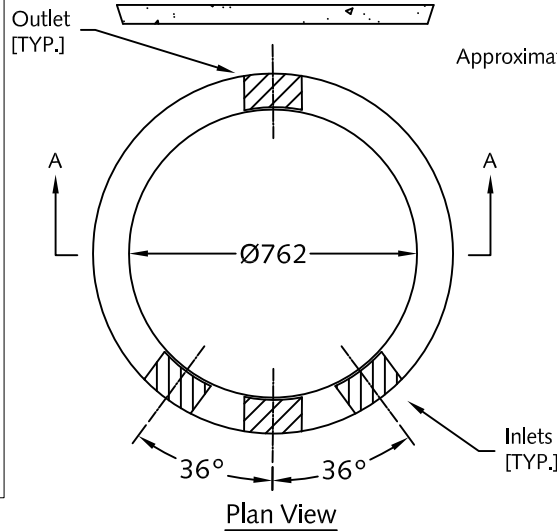
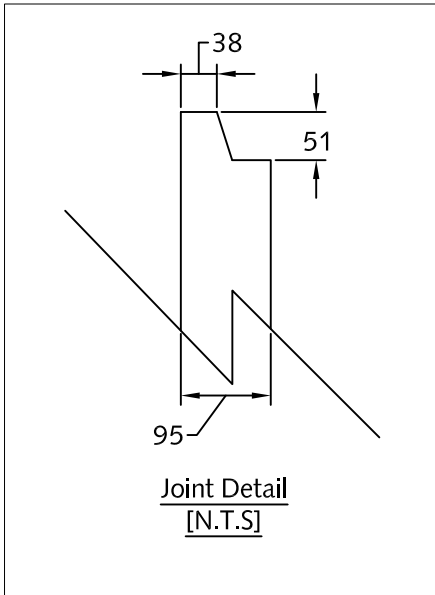
Double Lid

Approximate Weight: 195 kg

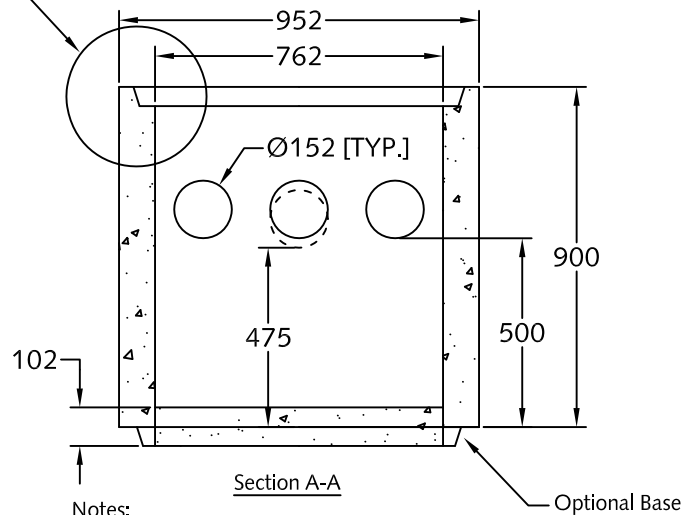


Light Lid

Approximate Weight: 85 kg



See Joint Detail



Notes:

1. Ø750 x 900 mm Perimeter drains as shown.
2. Perimeter Drains are not intended for use in vehicular traffic areas.
3. Available with 100 mm thick cast in base.
4. Light lids, slotted are not rated for vehicular traffic.
5. Lids c/w recessed handles for lifting.
6. Unit c/w rough cores for drainage pipe as shown.
7. Risers available: 300, 450, 600 & 900 mm heights.
8. Approximate weight:
 - Ø750 x 900 mm: 575 kg.
 - w/ Base: 690 kg.
9. Minimum concrete strength: 27.6 MPa.
10. All dimensions are in millimeters.



DESCRIPTION:

Ø750 x 900 mm
Perimeter Drains

www.langleyconcretegroup.com

DRAWN BY:	KS	ORIGIN:	CHWK
CHK BY:	JAO/TM	DWG NO:	PD-3
DATE:	APR/22/2010	REV DATE:	N/A
SCALE:	1:20		

This drawing is the property of the Langley Concrete Group of Companies. All information contained herein is confidential and may not be used in whole or in part without written permission from the owner.