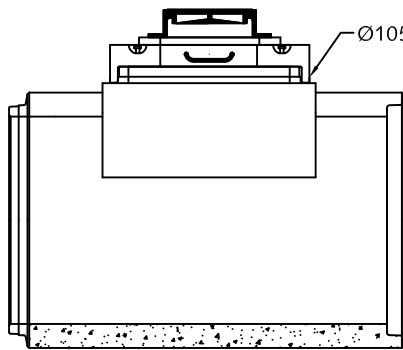
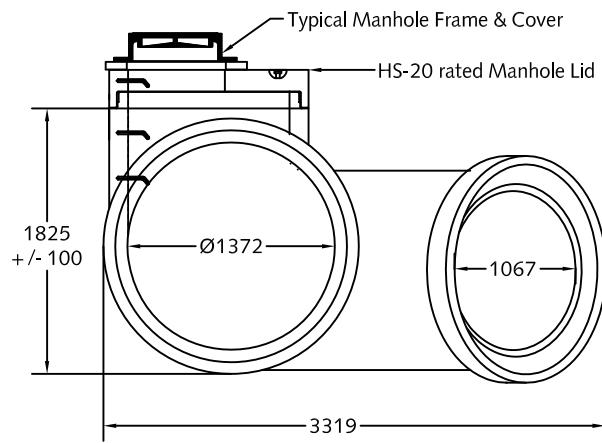


Plan View



Elevation View



End View- Looking Downstream

Note:

1. Manhole Tee with Wye Connection fitting as shown.
2. Typical arrangement is variable in dimensions.
3. Manhole Tee shown is Ø1050.
4. Wye connection is Ø1050 C76-III off Mainline Ø1350 C76-III pipe.
5. Other pipe, Tee, Wye combinations available.
6. Structure weight: 9,075kgs, [20,000lbs]
7. Minimum concrete strength: 27.6 MPa.
8. Minimum welded wire mesh, yield strength: 448 MPa.
9. All dimensions are in millimeters.



DESCRIPTION:
 Pipe w/ Manhole Tee
 Wye Off Connection- Typical
www.langleyconcretegroup.com

DRAWN BY:	JAO	ORIGIN:	LC&T
SCALE:	1:50	DRAWING NO.:	P-TY
DATE:	Feb/18/2010		
<small>This drawing is the property of the Langley Concrete Group of Companies. All information contained herein is confidential and may not be used in whole or in part without written permission from the owner.</small>			