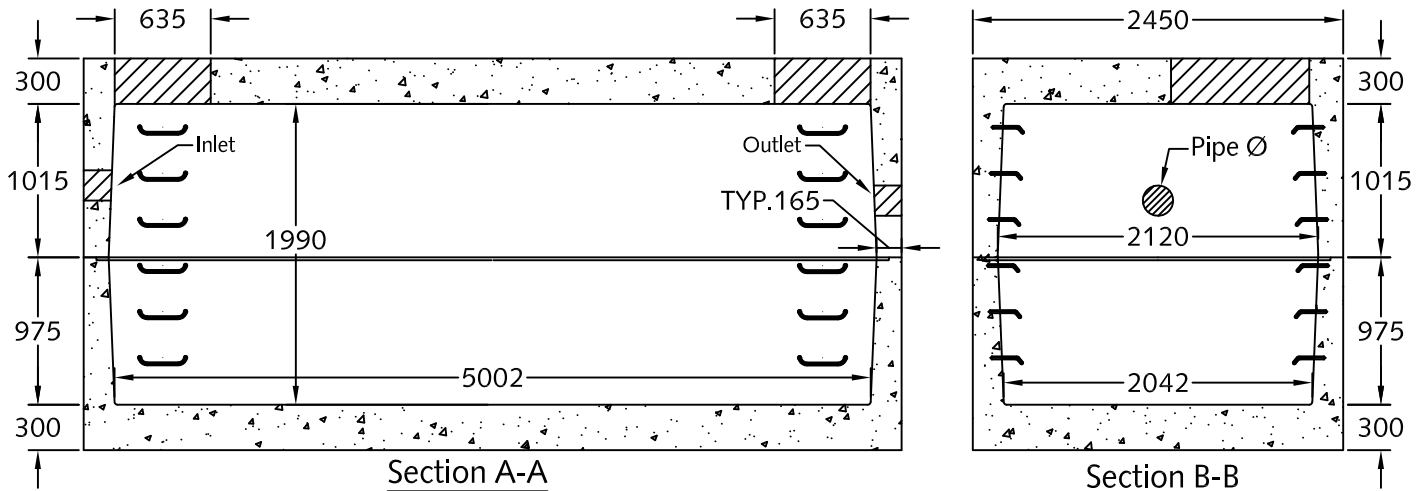


Plan View



Section A-A

Section B-B

Notes:

1. Vault 5212 to be built as shown.
2. Concrete vault dimensions: 5.0 x 2.1 x 2.0 m.
3. Unit designed to withstand AASHTO HS-20 live loading.
4. Chamber to have 2-Ø635 mm access core as shown.
5. Unit c/w rough cores for inlet/outlet as required.
6. Unit c/w lifting inserts as required.
7. Optional ladder rungs shown.
8. Each core is to have additional reinforcement placed around the core equal to or greater than the steel area removed for the core.
9. All reinforcement has a minimum of 25 mm of concrete cover.
10. Approximate weights:
  - Top section: 17,512 kg.
  - Bottom Section: 17,210 kg.
11. Minimum concrete strength: 35 MPa.
12. Minimum rebar yield strength: 414 MPa.
13. All dimensions are in millimeters.



DESCRIPTION:

Vault 5212

www.langleyconcretegroup.com

DRAWN BY:	KS	ORIGIN:	CHWK
CHK BY:	JAO/JDB/SW	DWG NO:	5212-V
DATE:	June/09/2008	REV DATE:	2. NOV/25/2009
SCALE:	1:50		

This drawing is the property of the Langley Concrete Group of Companies. All information contained herein is confidential and may not be used in whole or in part without written permission from the owner.