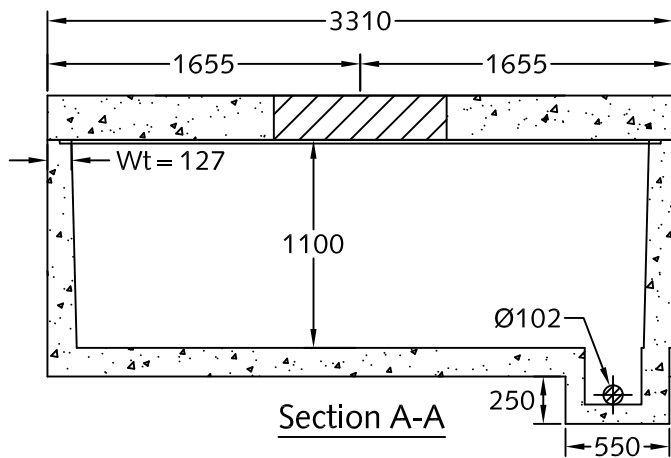
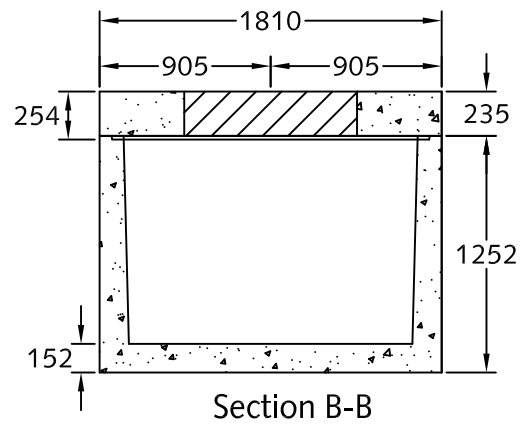


Plan View



Section A-A



Section B-B

Notes:

1. WM 3151 to be built as shown.
2. Concrete vault dimensions: 3.0 x 1.5 x 1.1 m.
3. Concrete designed to withstand AASHTO H20 live loading.
4. Chamber c/w 254 mm thick lid Ø914 mm opening as shown.
5. Bottom chamber to have 0.3 X 0.3 X 1.5 m trench complete w/ grate. For clarity trench detail not shown in section B-B.
6. Unit c/w Ø102 mm drainage hole as shown.
7. Unit c/w rough cores for inlet/outlet as required.
8. Each core is to have additional reinforcement placed around the core equal to or greater than the steel area removed for the core.
9. All reinforcement has a minimum of 25 mm concrete cover.
10. Approximate mass:
 - Chamber [w/ Trough]: 7,000 kg.
 - Lid [w/o Hatch]: 3,750 kg.
11. Minimum concrete strength: 35 MPa.
12. Minimum rebar yield strength: 414 MPa.
13. All dimensions are in millimeters.



DESCRIPTION:

3151
Water Meter Chamber
w/ Ø914 mm Opening
www.langleyconcretegroup.com

DRAWN BY:	KS	ORIGIN:	CHWK
CHK BY:	JAO/JDB/SW	DWG NO:	3151-WM-2.0
DATE:	FEB/03/2010	REV DATE:	1. JUNE/28/2011
SCALE:	1:40		

This drawing is the property of the Langley Concrete Group of Companies. All information contained herein is confidential and may not be used in whole or in part without written permission from the owner.