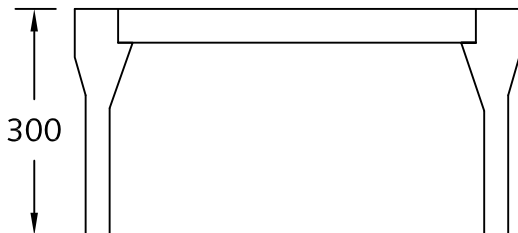
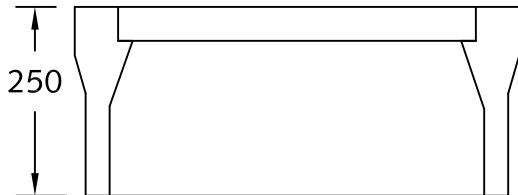
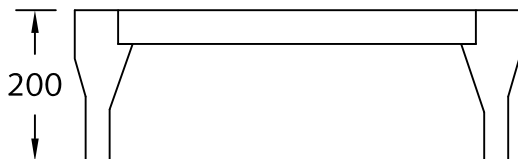
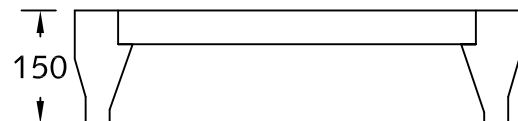


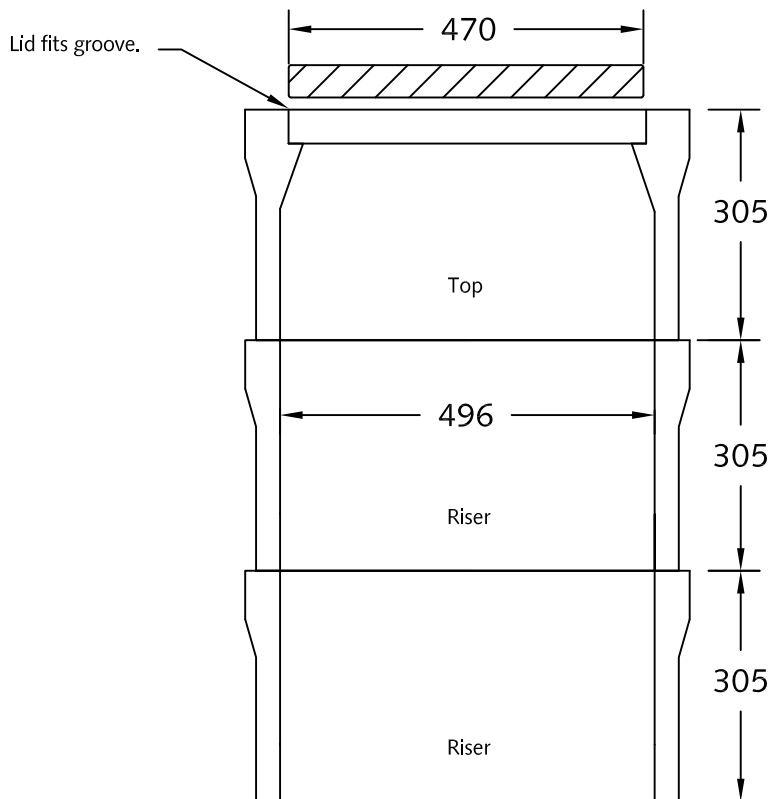
Plan View of Concrete / Cast Iron Lids

Lids shown with 'reader' holes. Other lids supplied marked with: ELEC / SANI / WATER or un-marked.

Plan View



Section A-A, View of Top Boxes



Section A-A, View of Typical Installation

Notes:

1. #37 type service boxes as shown.
2. Typical installation: 300mm top section, 2 - 300mm risers, lid.
3. Lids available in concrete or cast iron.
4. Lids available with 'reader' hole for certain municipalities.
5. Approx. weights:
 - Top section: 42 kg.
 - Riser sections: 148 kg/m.
6. All dimensions are in millimeters.



DESCRIPTION:

Type # 37 Water Meter Box

www.langleyconcretegroup.com

DRAWN BY: JAO

ORIGIN: LC&T

SCALE: 1:10

DRAWING NO:

DATE: 02/05/01

WM-37-1

This drawing is the property of the Langley Concrete Group of Companies. All information contained herein is confidential and may not be used in whole or in part without written permission from the owner.

LANGLEY (604)533-1656

VICTORIA (250) 478-9581

CHILLIWACK 1-800-667-9600