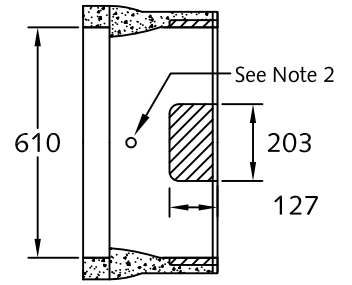
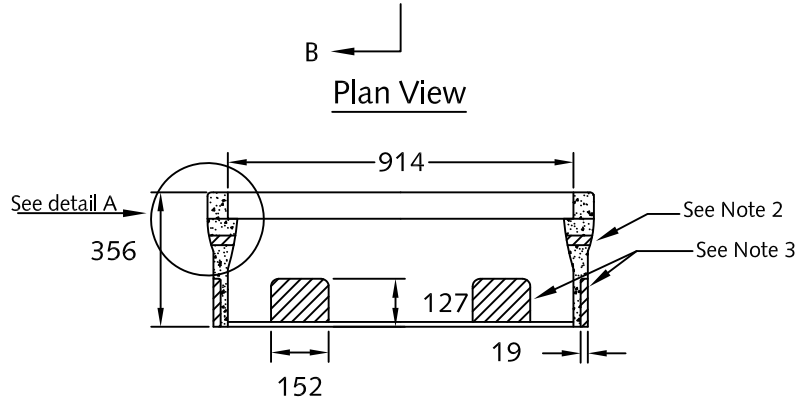


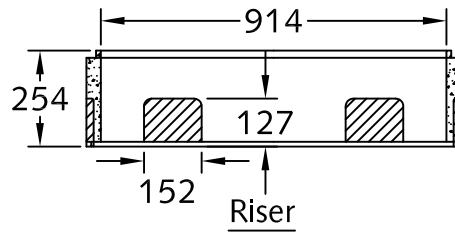
Plan View



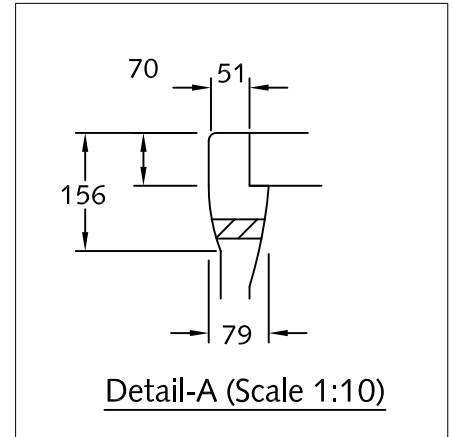
Section B-B



Top Section A-A



Riser



Detail-A (Scale 1:10)

Notes:

1. 864 x 559 x 356 mm Water meter box to be built as shown
2. Box top has taper inside and out.
3. Unit designed for non-traffic application only.
4. Ø19 mm Lifting hole to be provided as shown.
5. 127 x 152 mm & 127 x 203 mm Knock-out holes as shown.
6. 254 mm Riser section available as shown.
7. All reinforcement to have a minimum of 25 mm concrete cover.
8. Approximate mass:
 - Chamber: 125 kg.
 - Riser section: 66 kg.
9. Minimum rebar yield strength: 414 MPa.
10. Minimum concrete strength: 28 MPa
11. All dimensions are in millimeters.



DESCRIPTION:

Water Meter Box-67

www.langleyconcretegroup.com

DRAWN BY:	KS	ORIGIN:	CHWK
CHK BY:	JAO/JDB	DWG NO:	WM67-1.0
DATE:	MAY/30/2008	REV DATE:	2. MAY/27/2010
SCALE:	1:20		

This drawing is the property of the Langley Concrete Group of Companies. All information contained herein is confidential and may not be used in whole or in part without written permission from the owner.