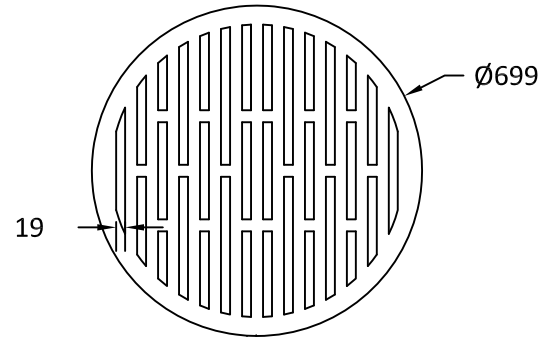
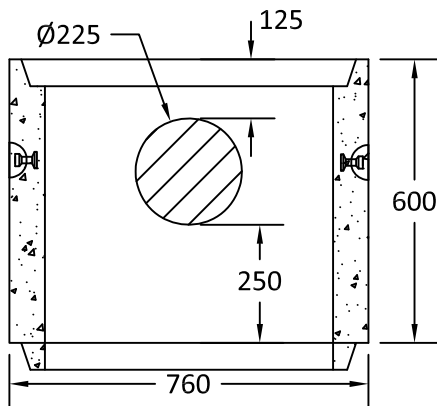
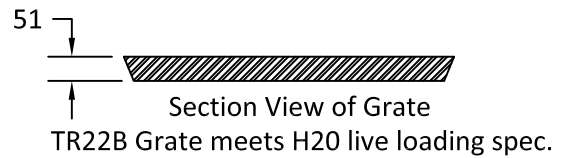


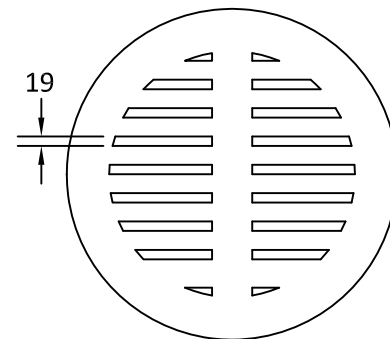
Plan View



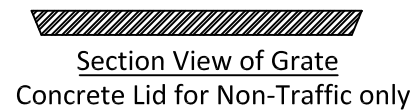
Plan View of TR22B Grate



Section View



Plan View of Concrete Grate



Notes:

1.  $\varnothing$ 600x600 Lawnbasin as shown.
2.  $\varnothing$ 225mm knockout core to be placed as shown.
3.  $\varnothing$ 75mm lift hole to be placed opposite to core.
4. Lawnbasin will accept TR22B cast iron grate or concrete slotted lid.
5. Manufactured to ASTM C478 specifications.
6. Approx. weight: 290 kgs.
7. Min. concrete strength: 30MPa.
8. All dimensions are in millimeters.



Quality Assurance of products manufactured by The Langley Concrete Group has been verified by the following third party certification programs:



The LANGLEY CONCRETE Group of Companies  
www.langleyconcretegroup.com

DESCRIPTION:

600x600 Lawnbasin

DRAWN BY: JAO	JOB NO.: N/A
CHK BY: KS	DWG NO: Lb-4
DATE: Mar. 25, 2002	REV. BY: CC
SCALE: 1:16	Aug. 13, 2018
<small>This drawing is the property of the Langley Concrete Group of Companies. All information contained herein is confidential and may not be used in whole or in part without written permission from the owner.</small>	LCG Products are held to the governing ASTM, and CSA specification & tolerances.

LANGLEY (604) 533-1656 VICTORIA (250) 478-9581 CHILLIWACK 1-800 667-9600