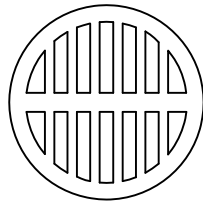
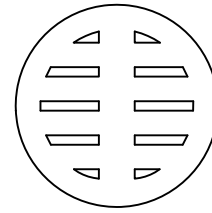


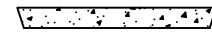
Joint Detail
[N.T.S.]



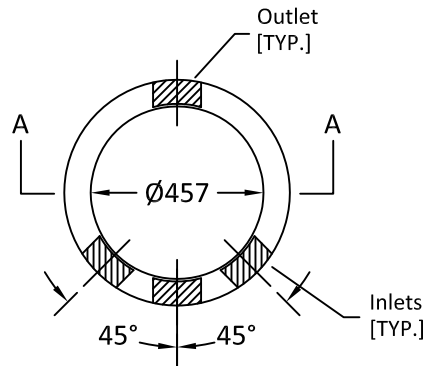
TR 27 Cast Iron Grate



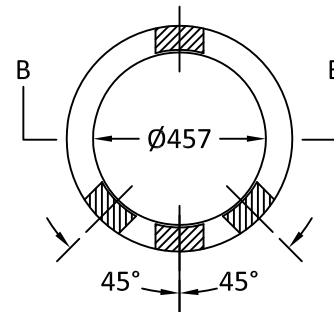
Slotted Concrete Lid



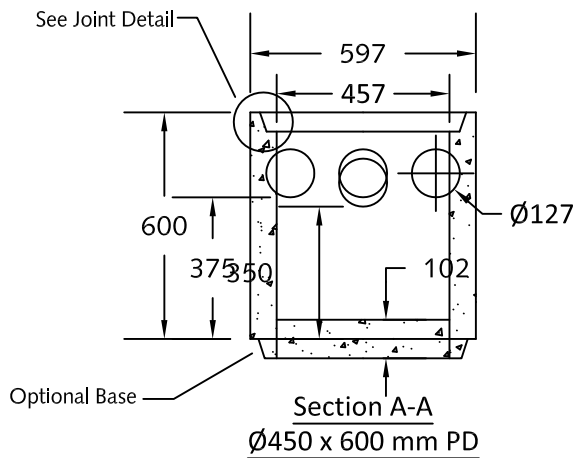
Standard Light Lid



Plan View

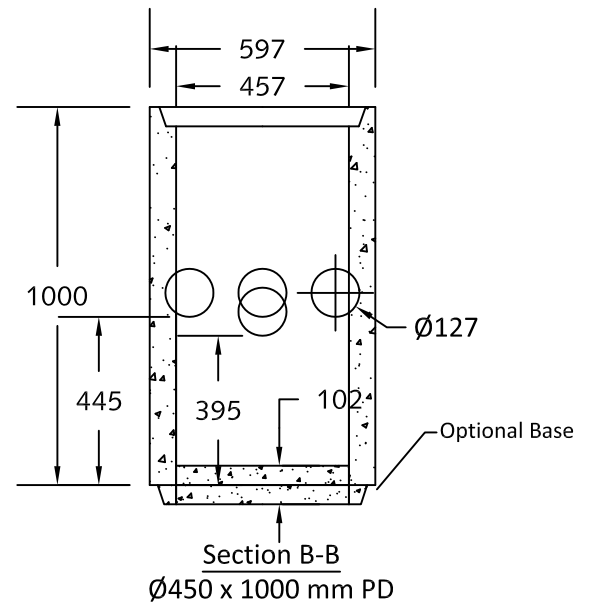


Plan View



Approximate weight:

- Ø450 x 600 mm: 172 kg.
- w/ Base: 215 kg



Approximate weight:

- Ø450 x 600 mm: 290 kg.
- w/ Base: 335 kg

Notes:

1. Ø450 x 600 & Ø450 x 1000 mm Perimeter drains as shown.
2. Perimeter Drains are not intended for use in vehicular traffic areas.
3. Available with 100mm thick cast in base.
4. Light lids, slotted are not rated for vehicular traffic.
5. Lids c/w recessed handles for lifting.
6. Unit c/w rough cores for drainage pipe.
7. Risers available: 150, 300, 450, 600 & 1200 mm heights.
8. Minimum concrete strength: 27.6 MPa.
9. All dimensions are in millimeters.



Quality Assurance of products manufactured by The Langley Concrete Group has been verified by the following third party certification programs:



The LANGLEY CONCRETE Group of Companies

www.langleyconcretegroup.com

DESCRIPTION:

Ø450 mm-Perimeter Drains

DRAWN BY: KS

JOB NO.: N/A

CHK BY: JAO/TM

DWG NO: PD-1

DATE: April 21, 2010

REV. BY: CC

SCALE: 1:20

Aug. 10, 2018

This drawing is the property of the Langley Concrete Group of Companies. All information contained herein is confidential and may not be used in whole or in part without written permission from the owner.

LCG Products are held to the governing ASTM, and CSA specification & tolerances.

LANGLEY (604) 533-1656 VICTORIA (250) 478-9581 CHILLIWACK 1-800 667-9600