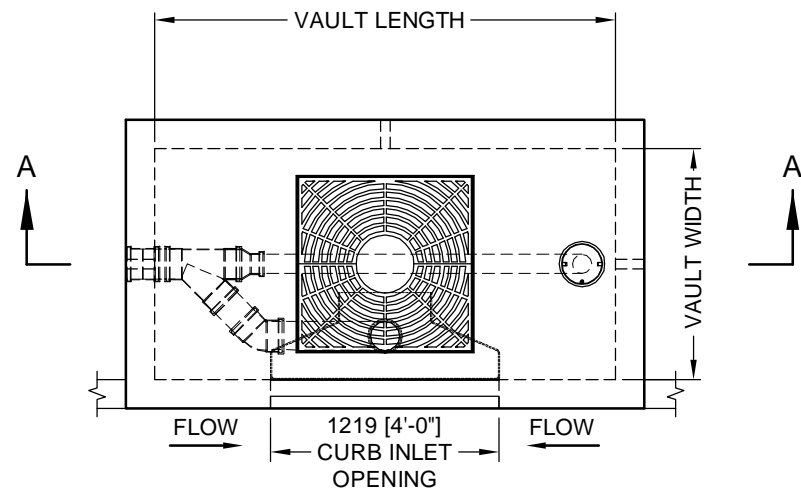
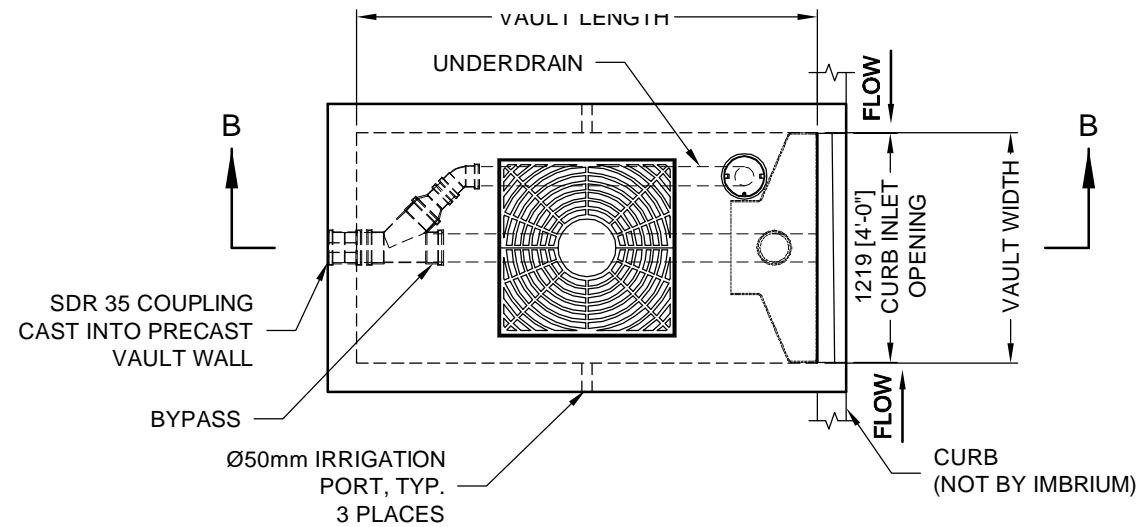


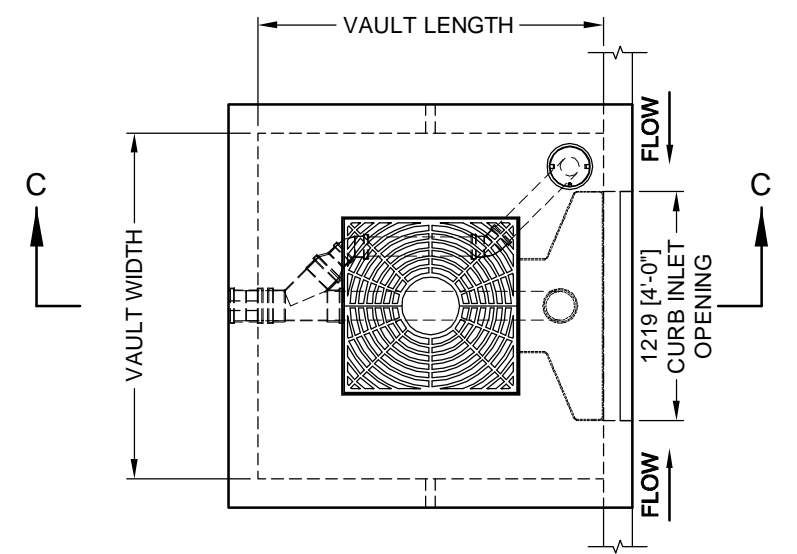
C:\USERS\KAHLEBERG\DESKTOP\FTIBC - FILTERRA ONLINE CONFIG DTL - LANGLEY.DWG 7/1/2019 3:04 PM



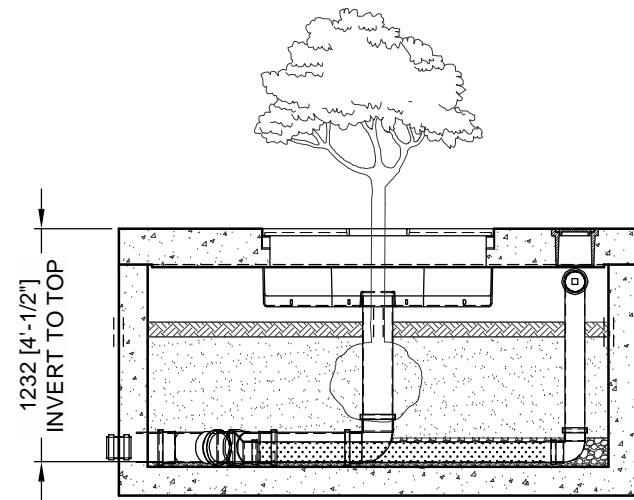
**PLAN VIEW**



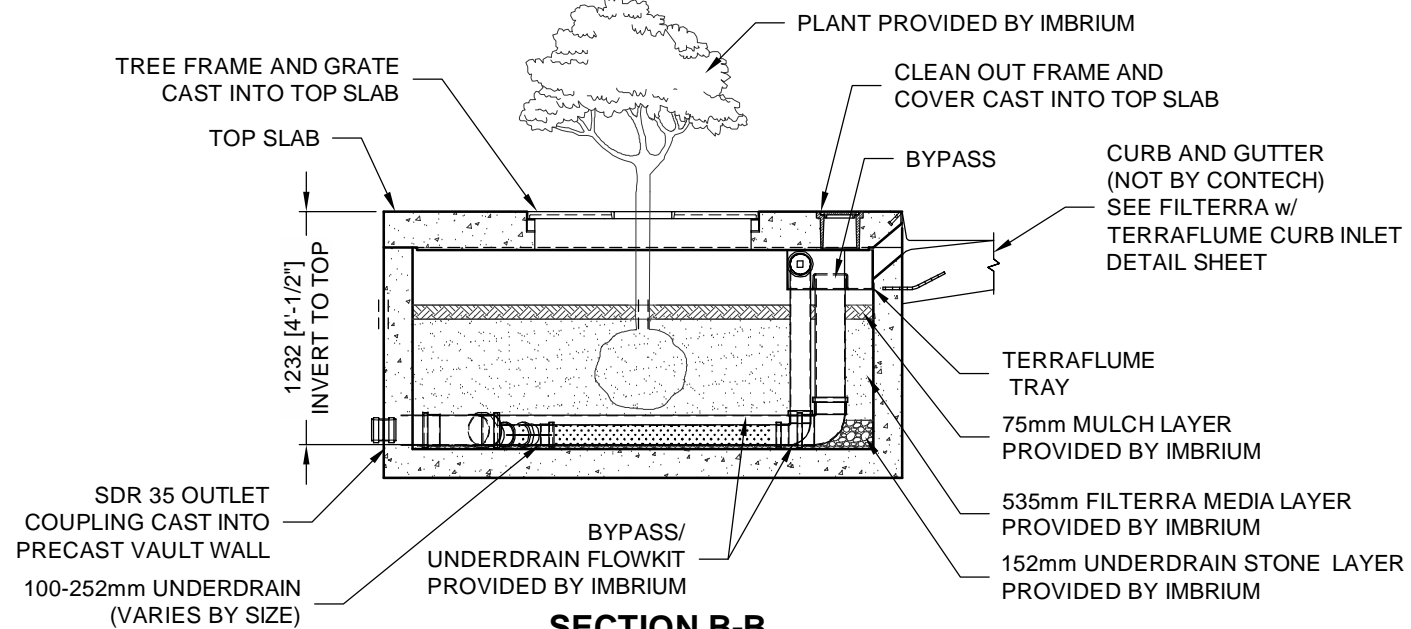
**PLAN VIEW**



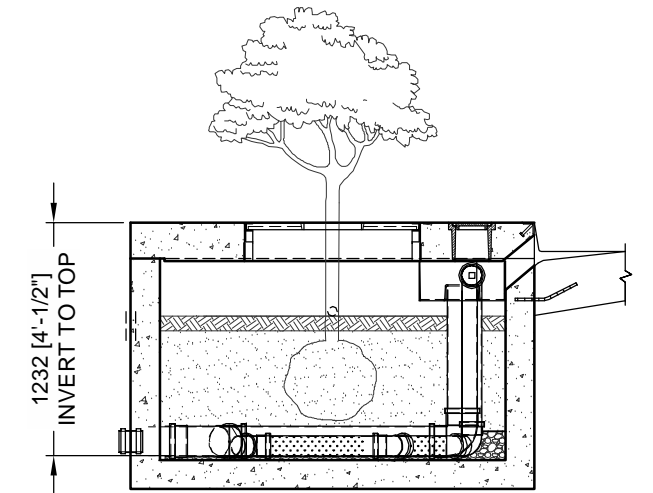
**PLAN VIEW**



**SECTION A-A**



**SECTION B-B**



**SECTION C-C**

**FTIBC LONG SIDE INLET CONFIGURATION**

| UNIT NAME   | MEDIA BAY SIZE | VAULT SIZE O.D. (L x W) | MAX. OUTLET/BYPASS PIPE DIA. | MAX. BYPASS FLOW (l/s) | UNDER-DRAIN PIPE DIA. (PERF) | TREE GRATE QTY & SIZE |
|-------------|----------------|-------------------------|------------------------------|------------------------|------------------------------|-----------------------|
| FTIBC08504  | 2700 x 1150    | 2997 x 1459             | 8" SDR 35                    | 53.5                   | 4" SDR 35                    | (1) 914 x 914         |
| FTIBC1005   | 3000 x 1500    | 3310 x 1810             | 8" SDR 35                    | 53.5                   | 4" SDR 35                    | (1) 914 x 914         |
| FTIBC1206   | 3660 x 1830    | 4060 x 2200             | 10" SDR 35                   | 67.1                   | 6" SDR 35                    | (2) 1219 x 1219       |
| FTIBC1307   | 4000 x 2100    | 4330 x 2510             | 10" SDR 35                   | 67.1                   | 6" SDR 35                    | (2) 1219 x 1219       |
| FTIBC165065 | 5000 x 2000    | 5410 x 2450             | 10" SDR 35                   | 67.1                   | 6" SDR 35                    | (3) 1219 x 1219       |

**FTIBC SHORT SIDE INLET CONFIGURATION**

| UNIT NAME   | MEDIA BAY SIZE | VAULT SIZE O.D. (W x L) | MAX. OUTLET/BYPASS PIPE DIA. | MAX. BYPASS FLOW (l/s) | UNDER-DRAIN PIPE DIA. (PERF) | TREE GRATE QTY & SIZE |
|-------------|----------------|-------------------------|------------------------------|------------------------|------------------------------|-----------------------|
| FTIBC04085  | 1150 x 2700    | 1459 x 2997             | 8" SDR 35                    | 53.5                   | 4" SDR 35                    | (1) 914 x 914         |
| FTIBC0510   | 1500 x 3000    | 1810 x 3310             | 8" SDR 35                    | 53.5                   | 4" SDR 35                    | (1) 914 x 914         |
| FTIBC0612   | 1830 x 3660    | 2200 x 4060             | 10" SDR 35                   | 67.1                   | 6" SDR 35                    | (2) 1219 x 1219       |
| FTIBC0713   | 2100 x 4000    | 2510 x 4330             | 10" SDR 35                   | 67.1                   | 6" SDR 35                    | (2) 1219 x 1219       |
| FTIBC065165 | 2000 x 5000    | 2450 x 5410             | 10" SDR 35                   | 67.1                   | 6" SDR 35                    | (3) 1219 x 1219       |

**FTIBC SQUARE INLET CONFIGURATION**

| UNIT NAME | MEDIA BAY SIZE | VAULT SIZE O.D. (L x W) | MAX. OUTLET/BYPASS PIPE DIA. | MAX. BYPASS FLOW (l/s) | UNDER-DRAIN PIPE DIA. (PERF) | TREE GRATE QTY & SIZE |
|-----------|----------------|-------------------------|------------------------------|------------------------|------------------------------|-----------------------|
| FTIBC0404 | 1200 x 1200    | 1525 x 1525             | 6" SDR 35                    | 53.5                   | 4" SDR 35                    | (1) 914 x 914         |
| FTIBC0606 | 1800 x 1800    | 2113 x 2113             | 8" SDR 35                    | 53.5                   | 4" SDR 35                    | (1) 914 x 914         |

INTERNAL PIPE CONFIGURATION MAY VARY DEPENDING UPON OUTLET LOCATION.



THIS PRODUCT MAY BE PROTECTED BY ONE OR MORE OF THE FOLLOWING U.S. PATENTS: 8,277,274; 8,589,321; 7,626,496; 7,428,261; 7,833,412; RELATED FOREIGN PATENTS.



7037 Ridge Road, Suite 350, Hanover, MD 21076  
866-740-3318 410-796-5505 866-376-8511 FAX

**FILTERRA ONLINE (FTIBC)  
CONFIGURATION DETAIL  
THE LANGLEY CONCRETE GROUP**

The design and information shown on this drawing is provided as a service to the project owner, engineer and contractor by Imbrium Systems LLC or one of its affiliated companies ("Imbrium"). Neither this drawing, nor any part thereof, may be used, reproduced or modified in any manner without the prior written consent of Imbrium. Failure to comply is done at the user's own risk and Imbrium expressly disclaims any liability or responsibility for such use. If discrepancies between the supplied information upon which the drawing is based and actual field conditions are encountered as site work progresses, these discrepancies must be reported to Imbrium immediately for re-evaluation of the design. Imbrium accepts no liability for designs based on missing, incomplete or inaccurate information supplied by others.