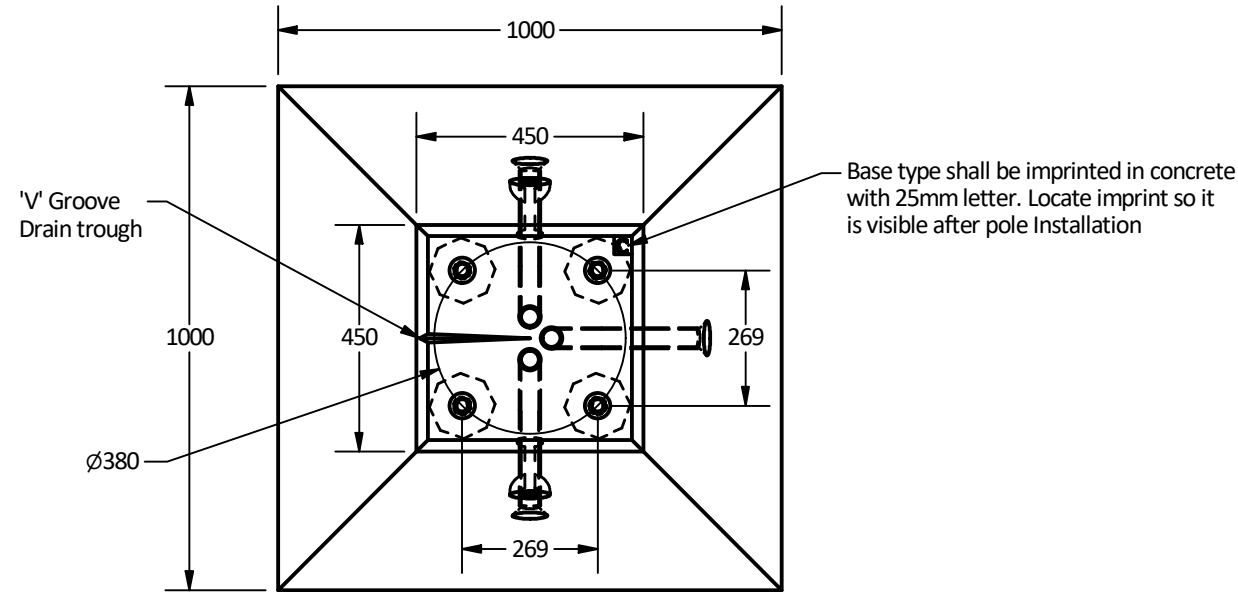


PART LIST			
ITEM	QTY	PART NUMBER	WEIGHT
1	1	Type C1 Pole Base	2,000 kg.
2	2	5 x 110 Lifting Insert	
3	4	25 x 920 Galvanized Anchor Bolts	

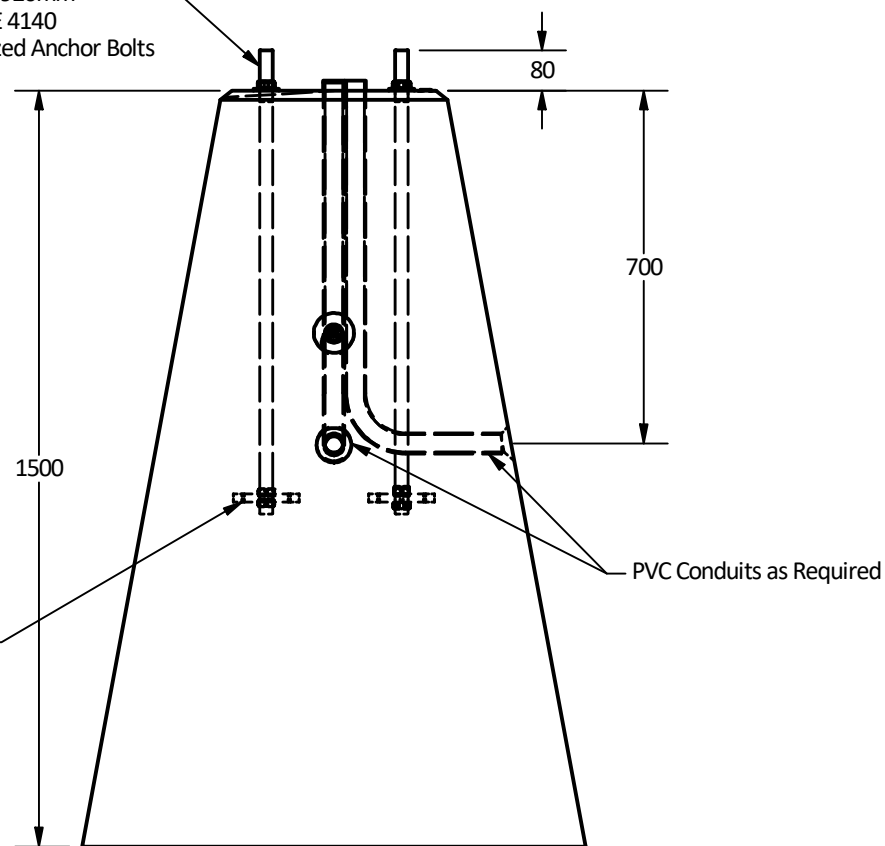


Base type shall be imprinted in concrete with 25mm letter. Locate imprint so it is visible after pole installation

Plan View

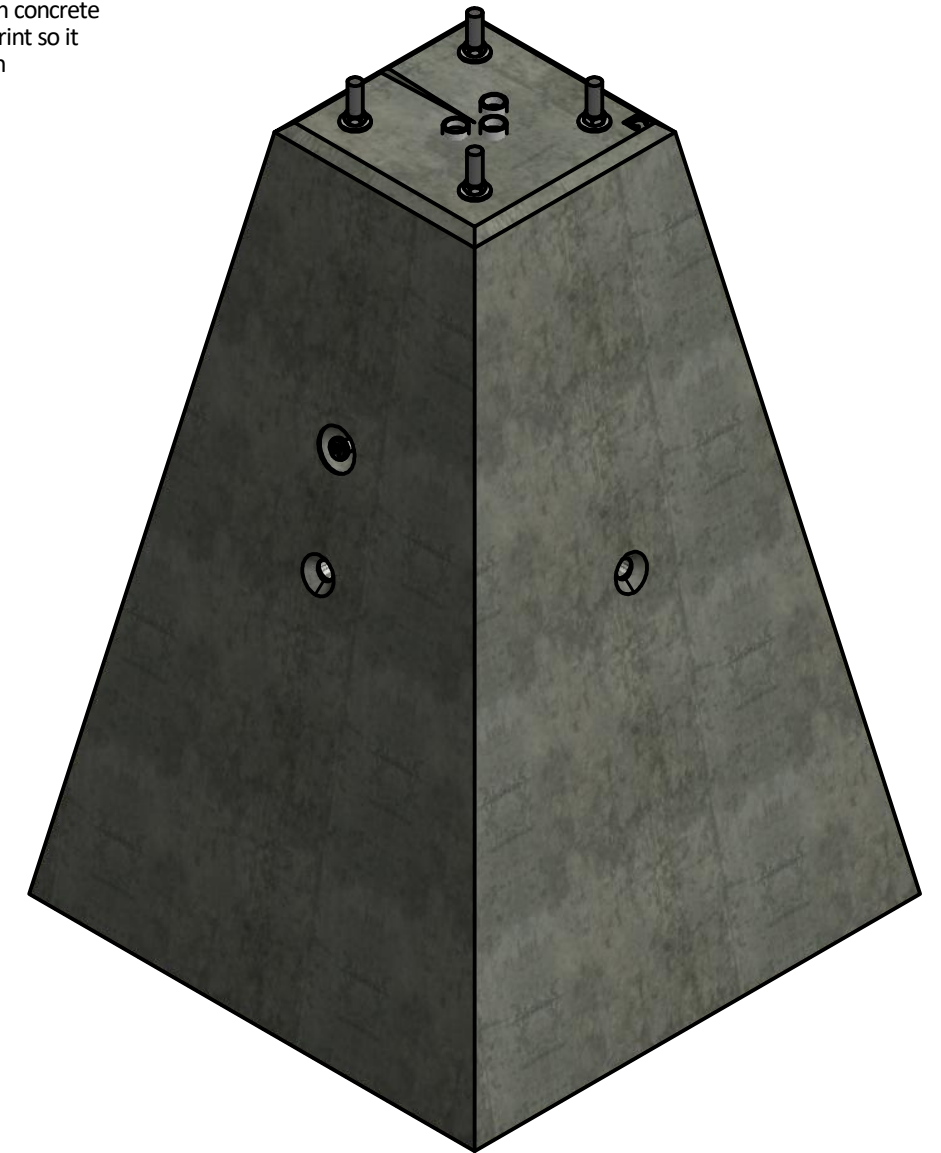
- Notes:
- "Type C1" concrete pole base to be built as shown.
 - Concrete base to have 4-Ø25 x 920mm, 269 mm c/c AISI/SAE 4140 galvanized anchor bolts inserted as shown. See MMCD DWG # CE1.3, CE1.4 & CE1.15.
 - Unit c/w lifting inserts as required.
 - Unit Supplied with Nuts and Washers as required.
 - Unit Supplied with Conduits as required.
 - Minimum concrete strength: 30 MPa.
 - All dimensions are in millimeters.
 - Installation & backfilling is the responsibility of others.
 - V- Groove Drain Trough to Start at Zero Depth in Centre of Base to 10mm at the Outside edge. Align with Conduit.

4-Ø25 x 920mm
AISI/SAE 4140
Galvanized Anchor Bolts



Anchor Bolt with Nut and Steel Plate, Bottom Nuts Shall be Welded to Anchor Bolts

Elevation View



Isometric View

Note: 25mm Spacing between Conduits

Langley Concrete Group is a certified Q-Cast Plant, an American Concrete Pipe Association Third Party Certification for the manufacture of Pipe, Manhole, Box Culvert & Precast Items.



Quality Assurance of products manufactured by The Langley Concrete Group has been verified by the following third party certification programs



All Dimensions are in Millimeters. Unless otherwise Stated

Projection Method: THIRD ANGLE



The LANGLEY CONCRETE Group of Companies
www.langleyconcretegroup.com
LANGLEY (604) 533-1656
VICTORIA (250) 478-9581
CHILLIWACK 1-800 667-9600

This drawing is the property of the Langley Concrete Group of Companies. All information contained herein is confidential and may not be used in whole or in part without written permission from the owner

DESCRIPTION:

Precast Concrete Pole Base
TYPE C1
MMCD Specification

DRAWN BY:	BY	JOB NO.
CHK BY:	KS	DWG NO: LPB-TYPE C1-MMCD
DATE:	Dec.11, 2019	LC NO:
SCALE:	1:15	MU NO:
SIZE	11 x 17	REV.
		SHEET 1 OF 1