

Isometric View

Notes:

1. Box culvert to be built as shown.
2. Unit designed to withstand HS20/BCL625 live loading.
Depth of cover as per project requirements.
3. Box dimensions and specifications to be in accordance with ASTM C1433M.
4. Concrete cover as per project requirements.
5. Unit c/w lifting insert as required.
Note: Sling angle to the vertical no more than 15°.
6. Minimum concrete strength: 42 MPa.
7. 7. Minimum rebar yield strength: 414 MPa. (Steel grade: CSA G30.18-400 weldable)
8. Minimum WWF yield strength: 485 MPa.
9. Installation & backfilling is the responsibility of others. For more details see ASTM 1675.
10. Boxes supplied with TSS Gasketed Joint for water & Silt tight. For more details see ASTM 1677.
(Standard specification for joints for concrete box, using rubber gaskets.)
11. All dimensions are in millimeters unless otherwise specified.

Langley Concrete Group is a certified Q-Cast Plant, an American Concrete Pipe Association Third Party Certification for the manufacture of Pipe, Manhole, Box Culvert & Precast Items.



Quality Assurance of products manufactured by The Langley Concrete Group has been verified by the following third party certification programs



All Dimensions are in Millimeters. Unless otherwise Stated

Projection Method: THIRD ANGLE



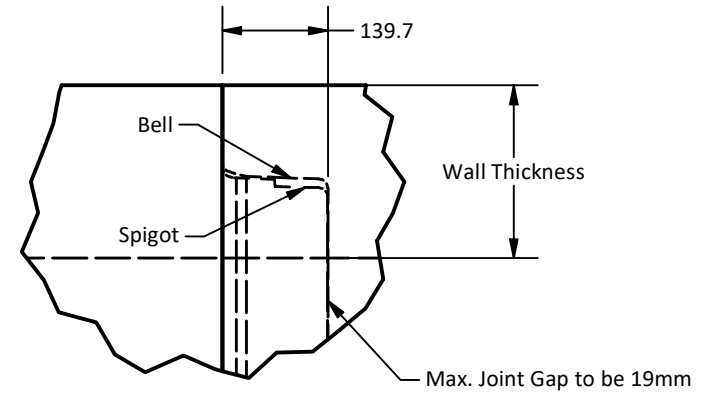
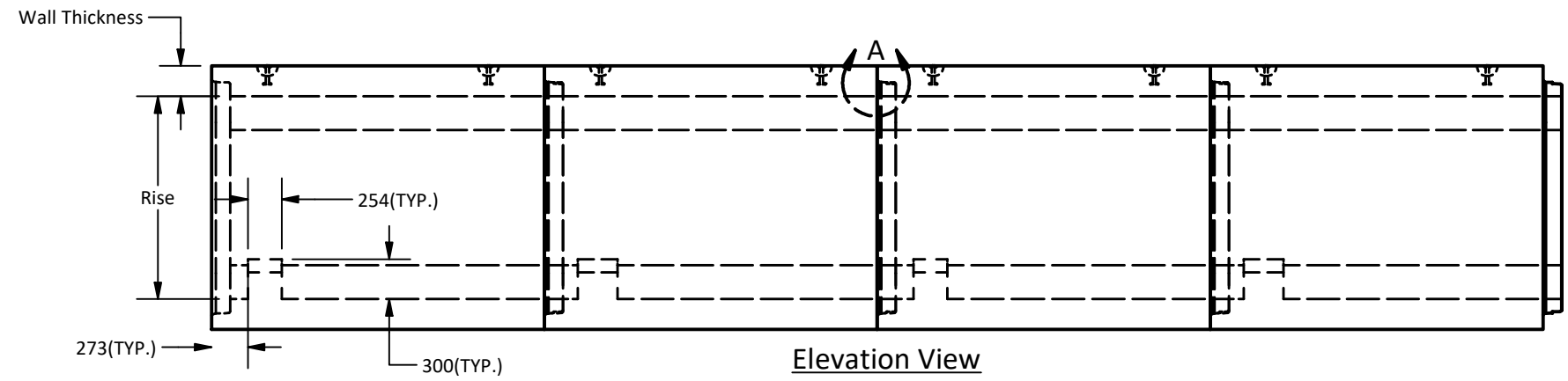
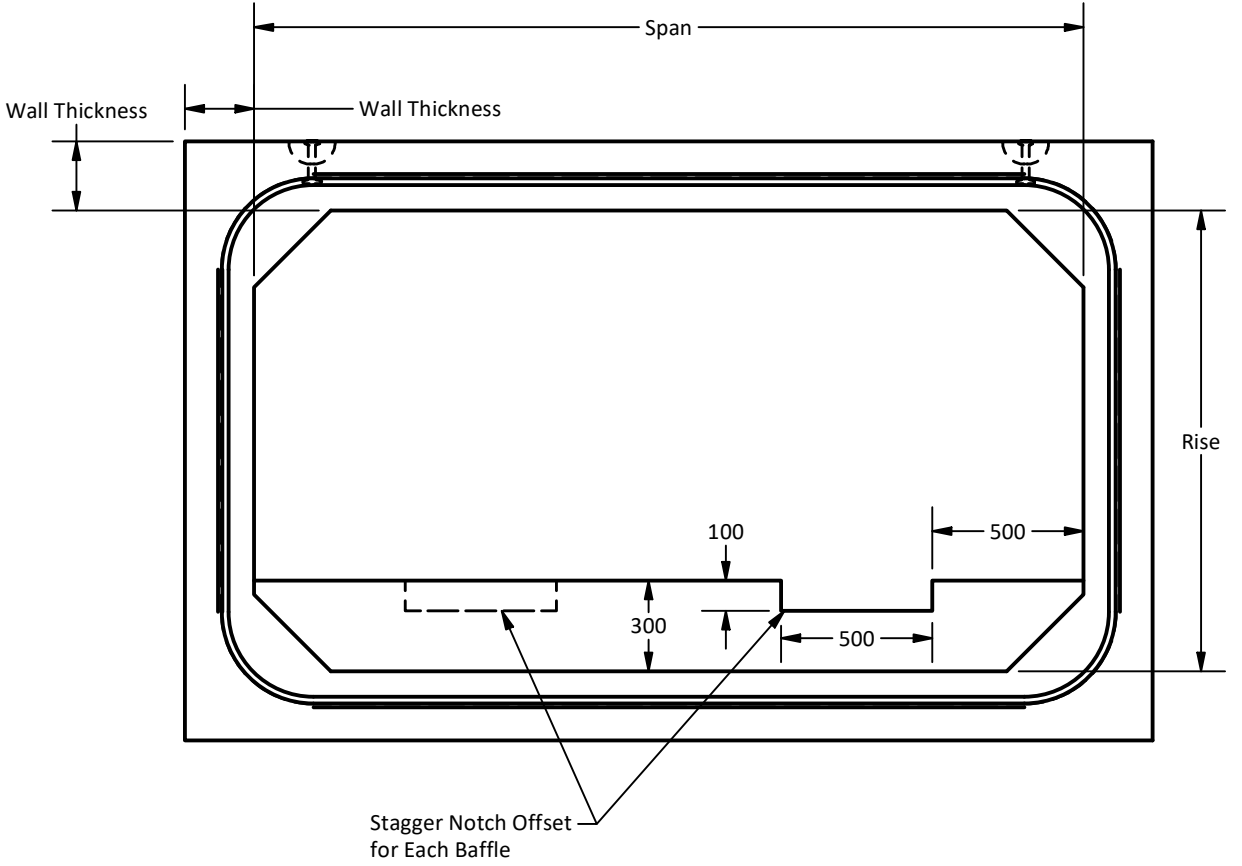
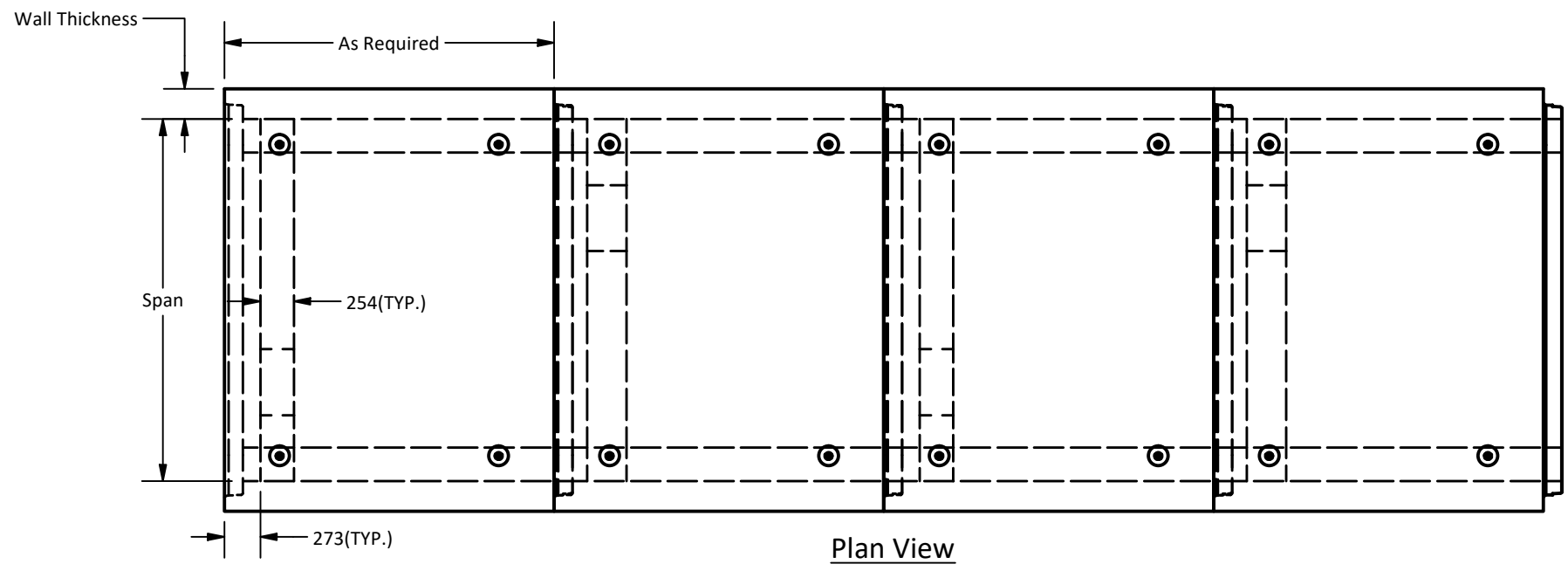
The **LANGLEY CONCRETE** Group of Companies
www.langleyconcretegroup.com
 LANGLEY (604) 533-1656
 VICTORIA (250) 478-9581
 CHILLIWACK 1-800 667-9600

This drawing is the property of the Langley Concrete Group of Companies. All information contained herein is confidential and may not be used in whole or in part without written permission from the owner

DESCRIPTION:

Precast Concrete Box Culvert w/ Fish Baffle & Rectangular Notch Option

DRAWN BY: SR		JOB NO: N/A
CHK BY: KS		DWG NO: BFB-REC-NOTCH
DATE: Aug.10, 2020		MU NO: N/A
SCALE: 1:40		
SIZE: 11 x 17	REV.	SHEET 1 OF 2



Langley Concrete Group is a certified Q-Cast Plant, an American Concrete Pipe Association Third Party Certification for the manufacture of Pipe, Manhole, Box Culvert & Precast Items.

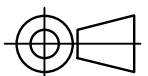


Quality Assurance of products manufactured by The Langley Concrete Group has been verified by the following third party certification programs




All Dimensions are in Millimeters. Unless otherwise Stated

Projection Method:
THIRD ANGLE



THE Langley CONCRETE GROUP
The LANGLEY CONCRETE Group of Companies

www.langleyconcretegroup.com
LANGLEY (604) 533-1656
VICTORIA (250) 478-9581
CHILLIWACK 1-800 667-9600

This drawing is the property of the Langley Concrete Group of Companies. All information contained herein is confidential and may not be used in whole or in part without written permission from the owner

DESCRIPTION:
Precast Concrete Box Culvert w/ Fish Baffle & Rectangular Notch Option

DRAWN BY: SR	JOB NO. N/A
CHK BY: KS	DWG NO: BFB-REC-NOTCH
DATE: Aug.10, 2020	MU NO: N/A
SCALE: 1:50	
SIZE 11 x 17	REV.
SHEET 2 OF 2	