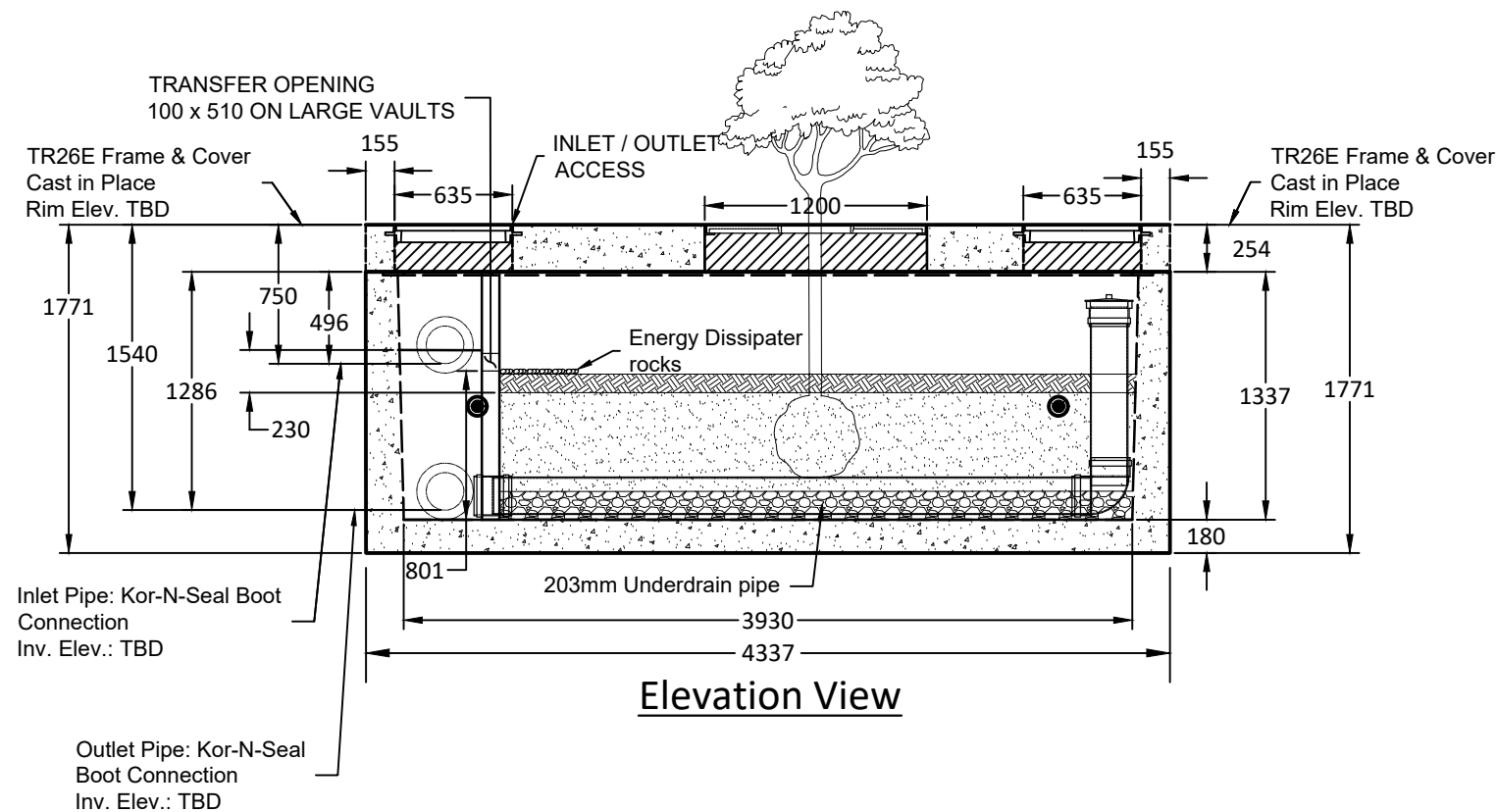
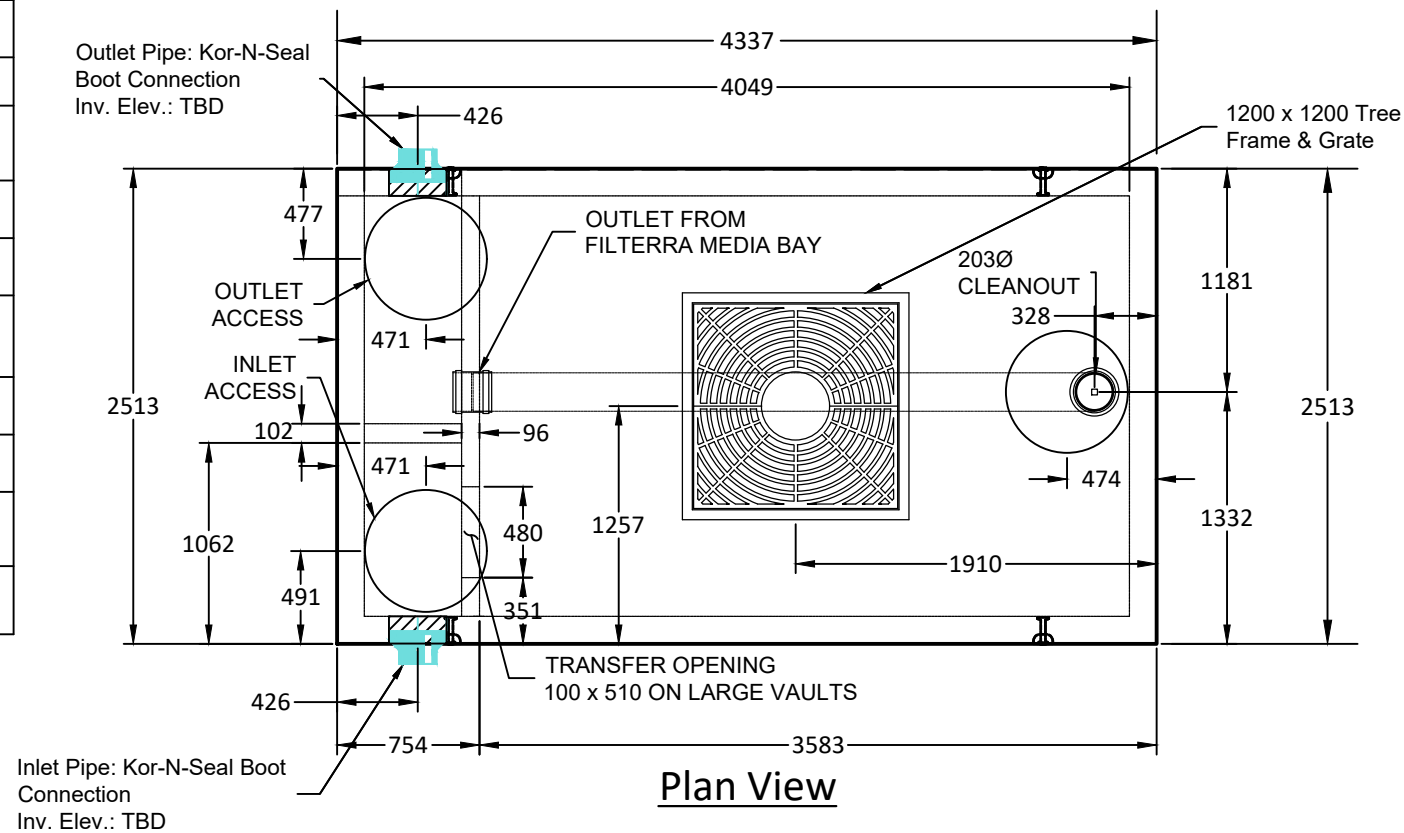


Part List			
Item	QTY	Description	Weight
1	1	4211 Vault - Bottom Section	15,000 kg.
2	1	4211 Vault - Top Section	8,750 kg.
3	1	Weir Weight (0.2826 m3)	678 kg.
4	1	Underdrain Stone (1.110 m3)	2,221 kg.
5	1	Filtrerra Media (4.070 m3)	8,956 kg.
6	3	TR26E Frame & Cover	
7	1	1200 x 1200 Tree Frame & Grate	
8		Installation Weight (w/o Lid)	26,855 kg.



Notes:

- 4211 Reinforced concrete vault is built as shown.
- Unit designed to withstand AASHTO HS20 / BCL-625 live loading.
- Concrete vault designed for the following earth covers:
 - Minimum: 0 m.
 - Maximum: 1.2 m.
- Unit supplied with rough cores for Inlet/Outlet as required.
- Unit supplied with opening for access as required.
- Unit supplied with lifting insert as required.
- Minimum rebar yield strength: 414 MPa. (Steel Grade: CSA 30.18-400 Weldable)
- Minimum concrete strength: 35 MPa.
- All dimensions are in millimeters unless otherwise specified.

General Notes:

- Each unit shall be constructed at the locations and elevations according to the sizes shown on the approved drawings. Any modifications to the elevation or location shall be at the direction of and approved by the Engineer.
- The unit shall be placed on a compacted sub-grade with a minimum 6-inch (150 mm) gravel base matching the final grade of the curb line in the area of the unit. The unit is to be placed such that the unit and top slab match the grade of the curb in the area of the unit. Compact undisturbed sub-grade materials to 95% of maximum density at +1- 2% of optimum moisture. Unsuitable material below sub-grade shall be replaced to the site engineer's approval.
- Outlet connections shall be aligned and sealed to meet the approved drawings with modifications necessary to meet site conditions and local regulations.
- Plant material to be confirmed by the Engineer.
- Unit supplied with Underdrain Stone and Filterra Media installed.
- The Supplier to go on site and install recommended plant material.
- Activation can occur once the project site is fully stabilized (full landscaping, grass cover, final paving and street sweeping completed).
- Maintenance occurs every 6 months within the first year by Supplier (for no extra cost).

By accepting and returning an approved shop drawing provided by the Langley Concrete Group for a specific product or project, the responsibility for the final product manufactured and provided in accordance with the drawings shall be borne by the customer. The Langley Concrete Group bears no responsibility, financial or otherwise, for errors in the finished product received unless proven it differs from the approved shop drawing. Langley Concrete Group responsibility is limited to the structural design and fabrication of the product to required engineering and relevant specifications related to the product and/or project.



Quality Assurance of products manufactured by The Langley Concrete Group has been verified by the following third party certification programs;



The LANGLEY CONCRETE Group of Companies
www.langleyconcretegroup.com

LANGLEY (604) 533-1656 VICTORIA (250) 478-9581 CHILLIWACK 1-800 667-9600

DESCRIPTION:

FTIPB-0612 (VAULT 4211)

DRAWN BY: LK	JOB NO.:
CHK BY: KS	DWG NO.:
DATE:	MU NO.:
SCALE: 1:40	FT NO.:
<small>This drawing is the property of the Langley Concrete Group of Companies. All information contained herein is confidential and may not be used in whole or in part without written permission from the owner.</small>	
<small>LCG Products are held to the governing ASTM, and CSA specification & tolerances.</small>	