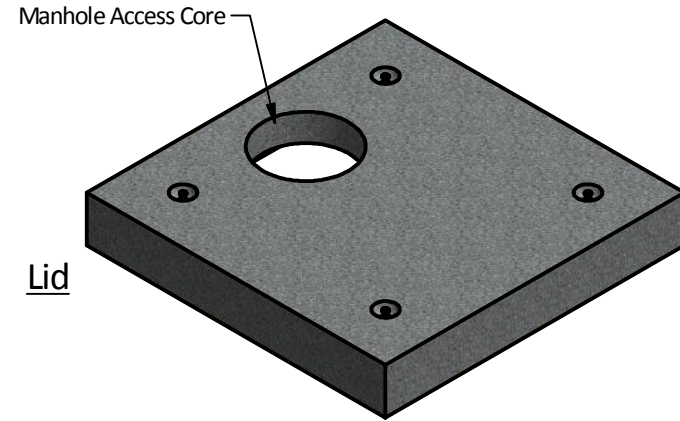
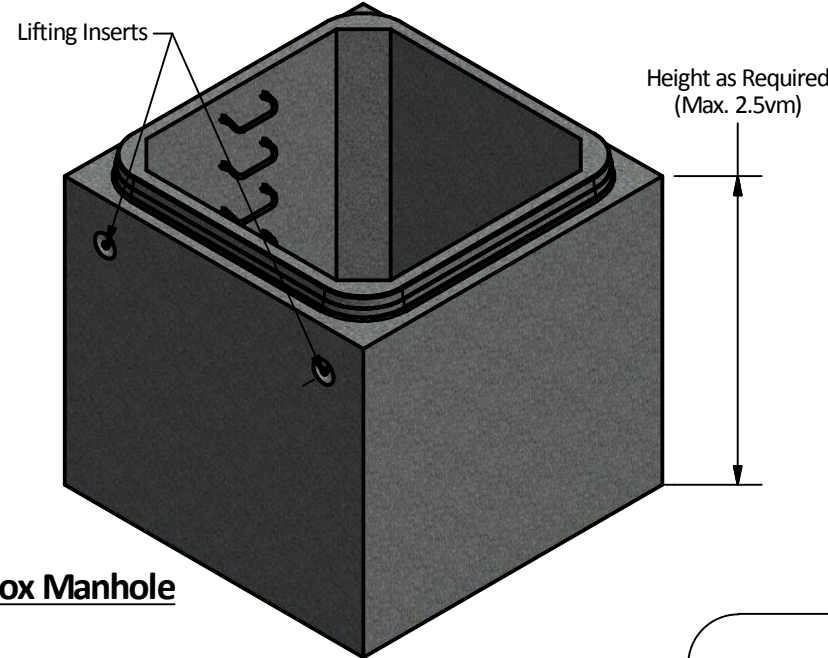


Box Culvert Information

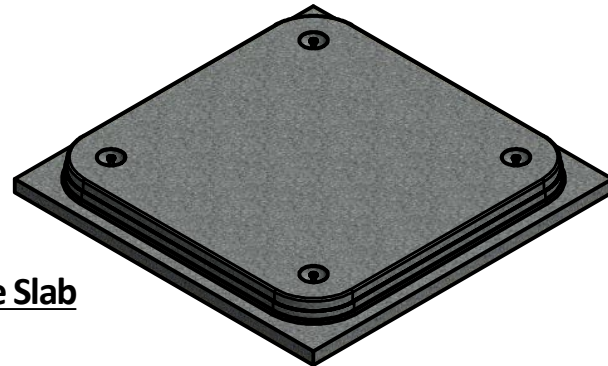
Span x Rise Nominal (mm)	Span x Rise Actual (mm)	Weights per linear Meter in kg	Wall Thickness in (mm)	Box Manhole Lid Weight in kg	Box Manhole Base Weight in kg	Span x Rise Nominal (mm)	Span x Rise Actual (mm)	Weights per linear Meter in kg	Wall Thickness in (mm)	Box Manhole Lid Weight in kg	Box Manhole Base Weight in kg
1800 x 900	1829 x 914	3,400	203.2	1,800	1,300	3350 x 1500	3353 x 1524	8,000	279.4	6,100	5,300
1800 x 1200	1829 x 1219	3,700	203.2	2,200	1,600	3350 x 1800	3353 x 1829	8,400	279.4	7,000	6,100
1800 x 1500	1829 x 1524	4,000	203.2	2,500	1,900	3350 x 2100	3353 x 2134	8,800	279.4	7,800	6,900
1800 x 1800	1829 x 1829	4,400	203.2	2,900	2,300	3350 x 2400	3353 x 2438	9,200	279.4	8,700	7,700
2100 x 1200	2134 x 1219	4,000	203.2	2,400	1,800	3350 x 2700	3353 x 2743	9,700	279.4	9,500	8,500
2100 x 1500	2134 x 1524	4,400	203.2	2,800	2,200	3350 x 3050	3353 x 3048	10,100	279.4	10,400	9,300
2100 x 1800	2134 x 1829	4,700	203.2	3,200	2,600	3350 x 3350	3353 x 3353	10,500	279.4	11,200	10,100
2100 x 2100	2134 x 2134	5,000	203.2	3,700	2,900	3650 x 1200	3658 x 1219	8,800	304.8	6,400	5,500
2400 x 1200	2438 x 1219	4,400	203.2	2,700	2,100	3650 x 1500	3658 x 1524	9,300	304.8	7,400	6,500
2400 x 1500	2438 x 1524	4,700	203.2	3,200	2,500	3650 x 1800	3658 x 1829	9,700	304.8	8,400	7,400
2400 x 1800	2438 x 1829	5,000	203.2	3,600	2,900	3650 x 2100	3658 x 2134	10,200	304.8	9,400	8,400
2400 x 2100	2438 x 2134	5,300	203.2	4,100	3,300	3650 x 2400	3658 x 2438	10,600	304.8	10,400	9,400
2400 x 2400	2438 x 2438	5,600	203.2	4,500	3,700	3650 x 2700	3658 x 2743	11,100	304.8	11,400	10,300
2700 x 1200	2743 x 1219	5,300	228.6	3,400	2,700	3650 x 3050	3658 x 3048	11,600	304.8	12,400	11,300
2700 x 1500	2743 x 1524	5,700	228.6	4,000	3,300	3650 x 3350	3658 x 3353	12,000	304.8	13,400	12,300
2700 x 1800	2743 x 1829	6,000	228.6	4,600	3,800	4250 x 1200	4267 x 1219 **	9,700	304.8	7,300	6,300
2700 x 2100	2743 x 2134	6,400	228.6	5,200	4,300	4250 x 1500	4267 x 1524 **	10,200	304.8	8,400	7,400
2700 x 2400	2743 x 2438	6,700	228.6	5,700	4,900	4250 x 1800	4267 x 1829 **	20,600	304.8	9,600	8,500
2700 x 2700	2743 x 2743	7,000	228.6	6,300	5,400	4250 x 2100	4267 x 2134 **	11,100	304.8	10,700	9,600
3050 x 1200	3048 x 1219	6,400	254	4,300	3,500	4250 x 2400	4267 x 2438 **	11,600	304.8	11,800	10,700
3050 x 1500	3048 x 1524	6,800	254	5,000	4,200	4250 x 2700	4267 x 2743 **	12,000	304.8	13,000	11,800
3050 x 1800	3048 x 1829	7,200	254	5,700	4,900	4250 x 3050	4267 x 3048 **	12,500	304.8	14,100	12,900
3050 x 2100	3048 x 2134	7,500	254	6,400	5,500	4250 x 3350	4267 x 3353 **	13,000	304.8	15,300	14,000
3050 x 2400	3048 x 2438	7,900	254	7,100	6,200	4250 x 3650	4267 x 3658 **	13,400	304.8	16,400	15,100
3050 x 2700	3048 x 2443	8,300	254	7,800	6,900	4250 x 3950	4267 x 3962 **	13,900	304.8	17,600	16,200
3050 x 3050	3048 x 3048	8,700	254	8,500	7,500	4250 x 4250	4267 x 4267 **	14,300	304.8	18,700	17,300
3350 x 1200	3353 x 1219	7,500	279.4	5,300	4,500						



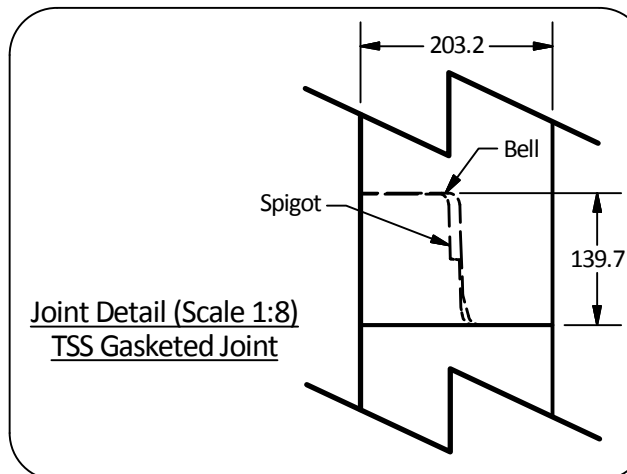
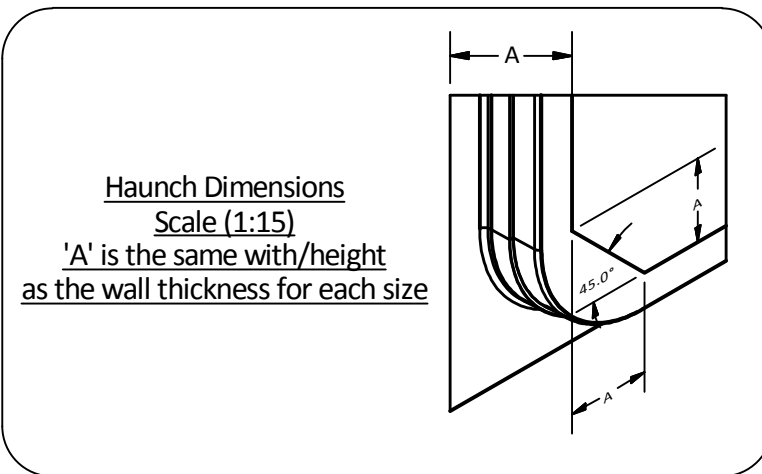
Lid



Box Manhole



Base Slab



Notes:

1. Box Chambers are manufactured to ASTM C1433/C1433M specification.
2. Box Chamber designed for required design codes. Can be design and manufactured for ASTM C1433, AASHTO, CHBDC & BC MoTI specifications.
3. Standard height is 2.5 m, other lengths are available upon request. Typical shorter lengths are starting from 1.25, 1.40, 1.55, 1.7, 1.85, 2.0, 2.15, 2.3 m (150 mm increment from 1.25 m).
4. Lids, Base slabs and cores, and other custom items are available upon request.
5. Unit supplied w/ lifting inserts, see Starcon lifting information from our website.
6. Unit supplied w/ TSS gaskets, see HK TSS gasket info from our website.
7. All dimensions are in millimeters.
8. Box sizes identified by (**) are available in wet-cast only.

<p>Langley Concrete Group is a certified Q-Cast Plant, an American Concrete Pipe Association Third Party Certification for the manufacture of Pipe, Manhole, Box Culvert & Precast Items.</p>	<p>Quality Assurance of products manufactured by The Langley Concrete Group has been verified by the following third party certification programs</p>	<p>All Dimensions are in Millimeters. Unless otherwise Stated</p> <hr/> <p>Projection Method: THIRD ANGLE</p>	<p>LANGLEY (604) 533-1656 VICTORIA (250) 478-9581 CHILLIWACK 1-800 667-9600</p>	<p>This drawing is the property of the Langley Concrete Group of Companies. All information contained herein is confidential and may not be used in whole or in part without written permission from the owner</p>	<p>DESCRIPTION:</p> <h3 style="margin: 0;">TSS Gasketed Joint Box Manhole Details</h3>	<p>DRAWN BY: SR</p> <hr/> <p>CHK BY: KS</p> <hr/> <p>DATE: July.31, 2018</p> <hr/> <p>SCALE: 1:40</p> <hr/> <p>SIZE: 11 x 17</p>	<p>JOB NO.</p> <hr/> <p>DWG NO: Box MH-1.0</p> <hr/> <p>MU NO:</p> <hr/> <p>SHEET 1 OF 1</p>
---	---	---	---	--	--	---	--