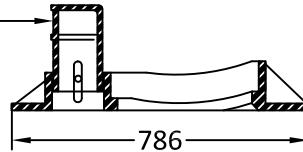
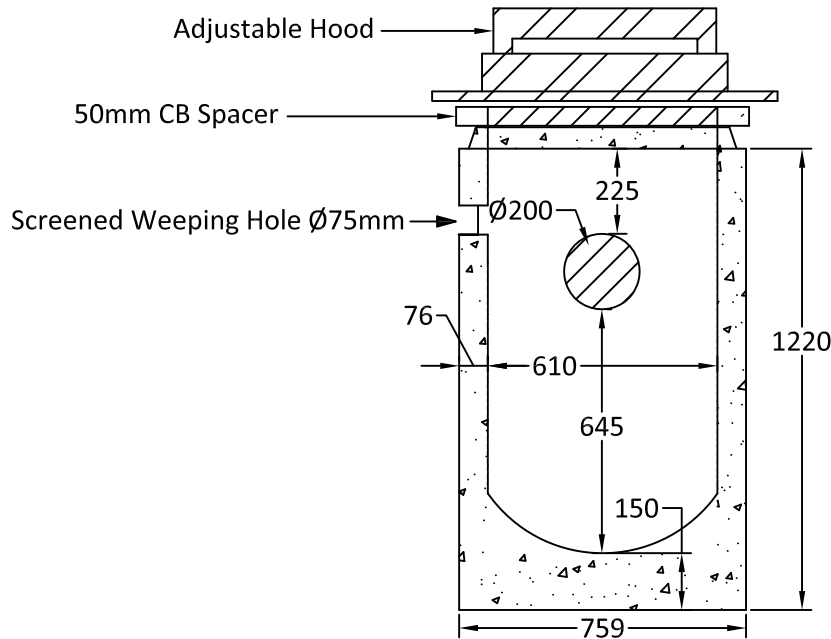


Plan View of Frame Set

Adjustable Hood
Set into Face of Curb Side



TR24 Adjustable Hood & Frame Set - Takes TR23 Grate
Section View of Frame Set



Elevation View

Notes:

1. Catchbasins manufactured to ASTM C478 standards.
2. Ø200mm Knock Out core for Outlet Pipe supplied as shown.
3. Ø75mm Galv. Screened Weep Hole provided as shown.
4. 150mm thick base cast in bottom as shown.
5. Adjustable hood on 23/24 frame shown for reference only.
6. Pins to hold Trapping Hoods available on request.
7. Minimum concrete strength: 30 MPa.
8. All dimensions are in millimeters.



Quality Assurance of products manufactured by The Langley Concrete Group has been verified by the following third party certification programs:



The LANGLEY CONCRETE Group of Companies
www.langleyconcretegroup.com

DESCRIPTION:

Adjustable Catch Basin
Curb Applications

DRAWN BY: JAO

JOB NO.: N/A

CHK BY:

DWG NO: CB-5

DATE: Jan. 17, 2010

REV.A JZ, AUG20,2018

SCALE: 1:20

This drawing is the property of the Langley Concrete Group of Companies. All information contained herein is confidential and may not be used in whole or in part without written permission from the owner.

LCG Products are held to the governing ASTM, and CSA specification & tolerances.

LANGLEY (604) 533-1656 VICTORIA (250) 478-9581 CHILLIWACK 1-800 667-9600