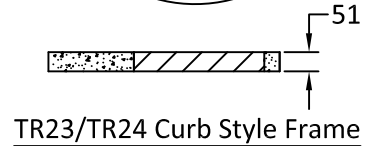
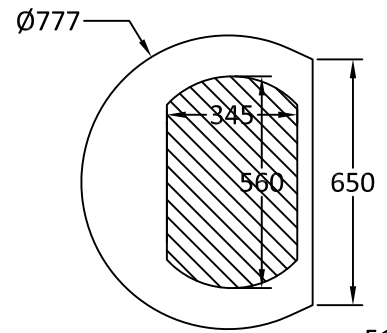
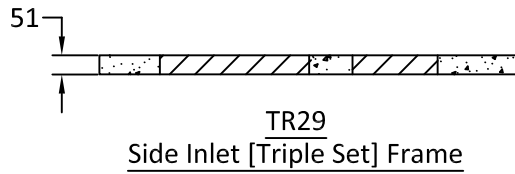
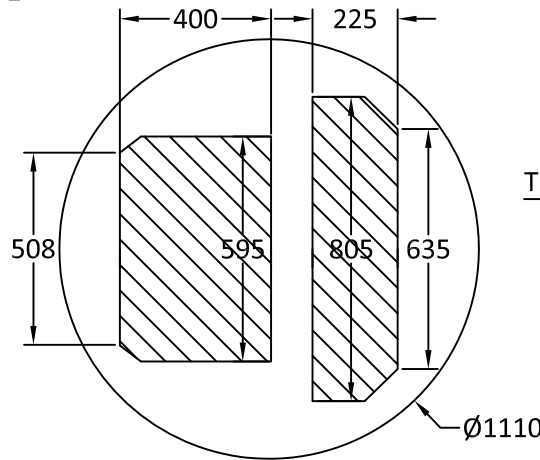


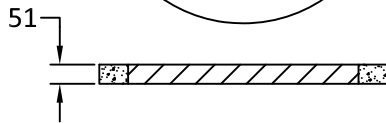
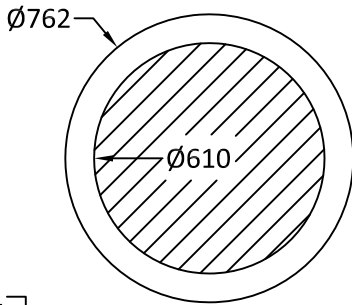
TR23/TR24 Full Circle Frame



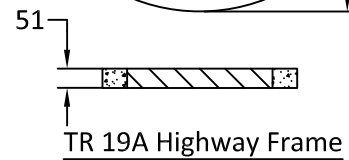
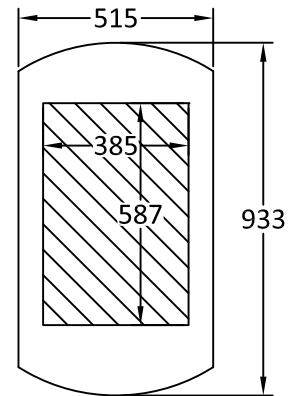
TR23/TR24 Curb Style Frame



TR29 Side Inlet [Triple Set] Frame



TR26B Frame



TR 19A Highway Frame

Notes:

1. All grade rings are manufactured to ASTM C 478 Specification.
2. All grade rings shown are 51 mm thick.
3. Riser rings are stackable.
4. Minimum concrete strength: 30 MPa.
5. All dimensions are in millimeters.



Quality Assurance of products manufactured by The Langley Concrete Group has been verified by the following third party certification programs:



The LANGLEY CONCRETE Group of Companies
www.langleyconcretegroup.com

DESCRIPTION:

Standard Catch Basin Grade Rings

DRAWN BY: KS

JOB NO.: N/A

CHK BY: JAO/JDB/SW

DWG NO: CB-SR

DATE: Mar. 5, 2010

REV. BY: CC
Aug. 15, 2018

SCALE: 1:20

This drawing is the property of the Langley Concrete Group of Companies. All information contained herein is confidential and may not be used in whole or in part without written permission from the owner.

LCG Products are held to the governing ASTM, and CSA specification & tolerances.

LANGLEY (604) 533-1656 VICTORIA (250) 478-9581 CHILLIWACK 1-800 667-9600