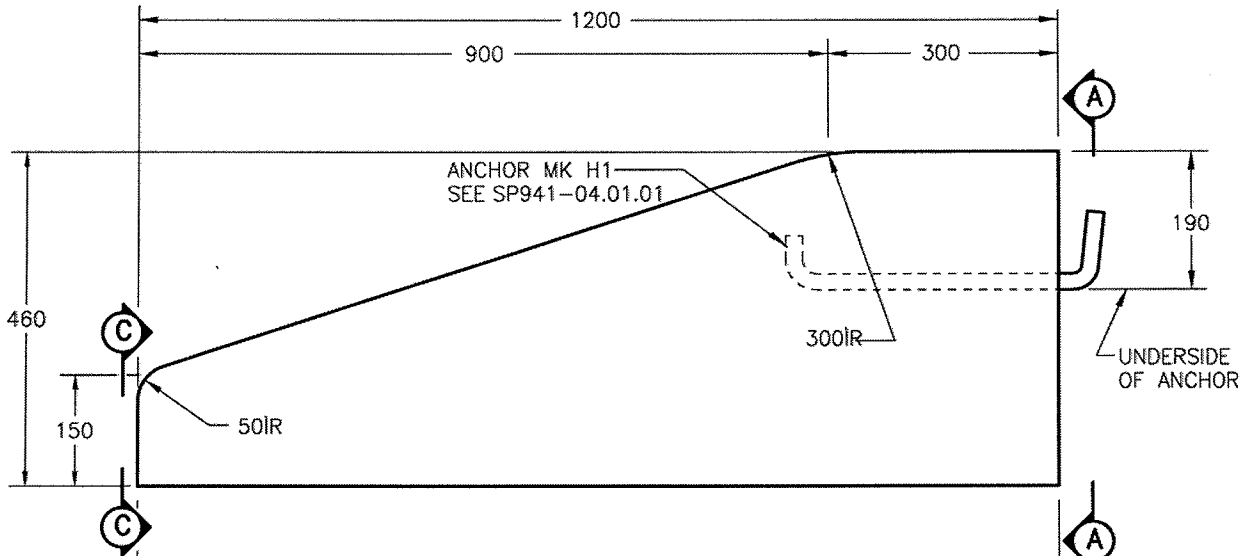
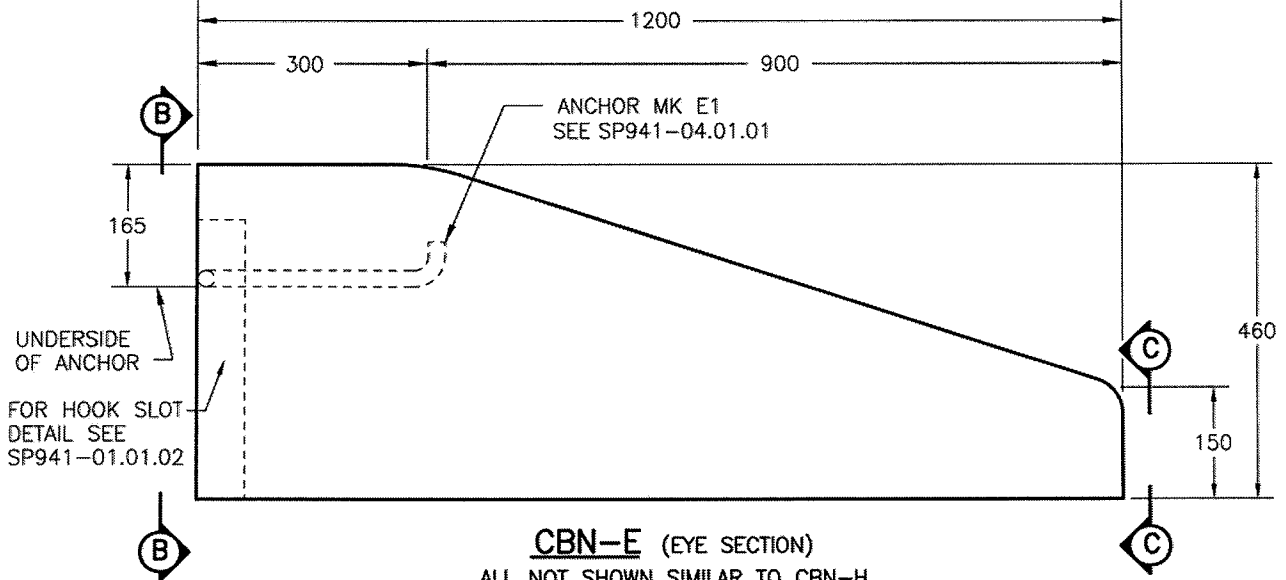


PRECAST CONCRETE BULL-NOSE
460 mm - CBN-H & CBN-E

SP941-01.01.01



CBN-H (HOOK SECTION)



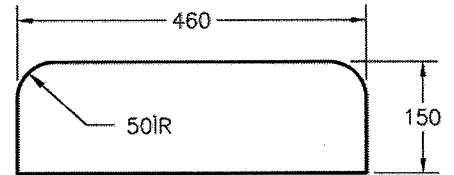
CBN-E (EYE SECTION)

ALL NOT SHOWN SIMILAR TO CBN-H

ELEVATION

GENERAL NOTES:

1. FOR VIEW (A) & (B) SEE SP941-01.01.02
2. FIBRILATED FIBRE STRAND REINFORCED CONCRETE TO BE USED FOR BULL-NOSE (CBN).
3. FIBRILATED FIBRE STRAND REINFORCED CONCRETE MAY BE SUBSTITUTED FOR STEEL REINFORCED CONCRETE IN LOW BARRIER (CLB-H & E).
4. MATERIALS AND QUALITY OF WORK TO BE IN ACCORDANCE WITH SECTION 941.
5. STANDARD CBN-E MAY BE MANUFACTURED ONLY WITH PRIOR WRITTEN PERMISSION FROM THE HIGHWAY SAFETY BRANCH.



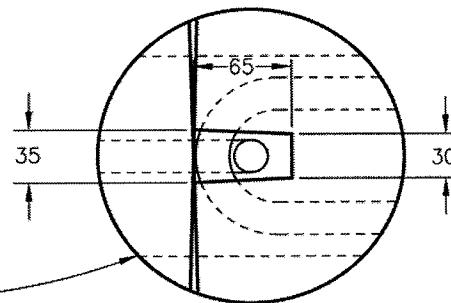
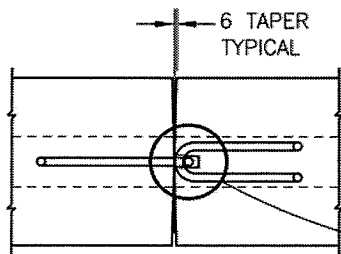
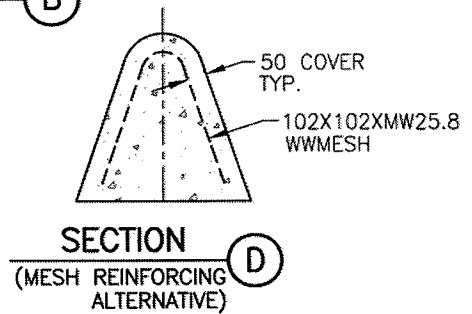
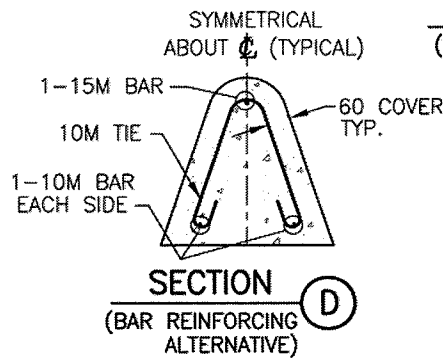
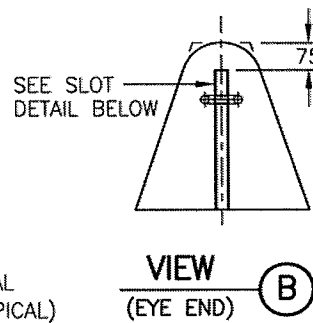
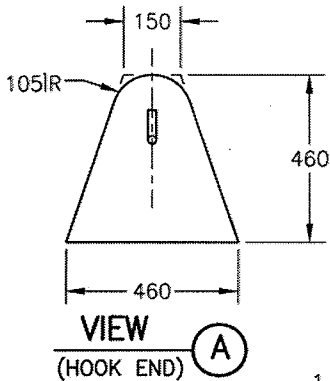
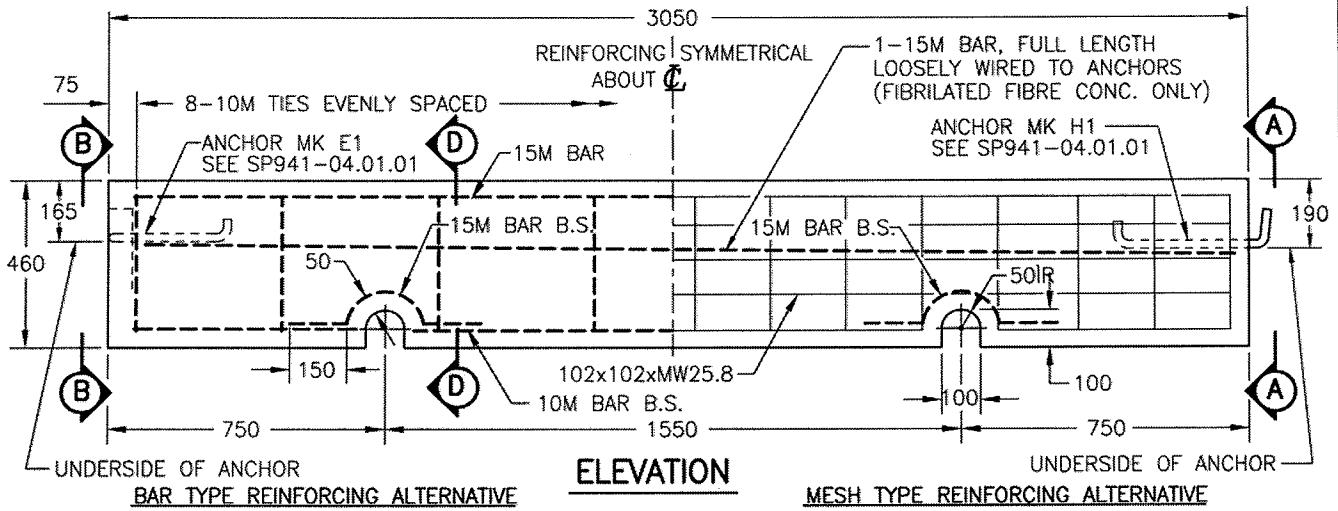
VIEW (C)

NOT TO SCALE

ALL DIMENSIONS ARE IN MILLIMETRES UNLESS OTHERWISE NOTED

PRECAST CONCRETE LOW BARRIER
460 mm - CLB-E+H

SP941-01.01.02



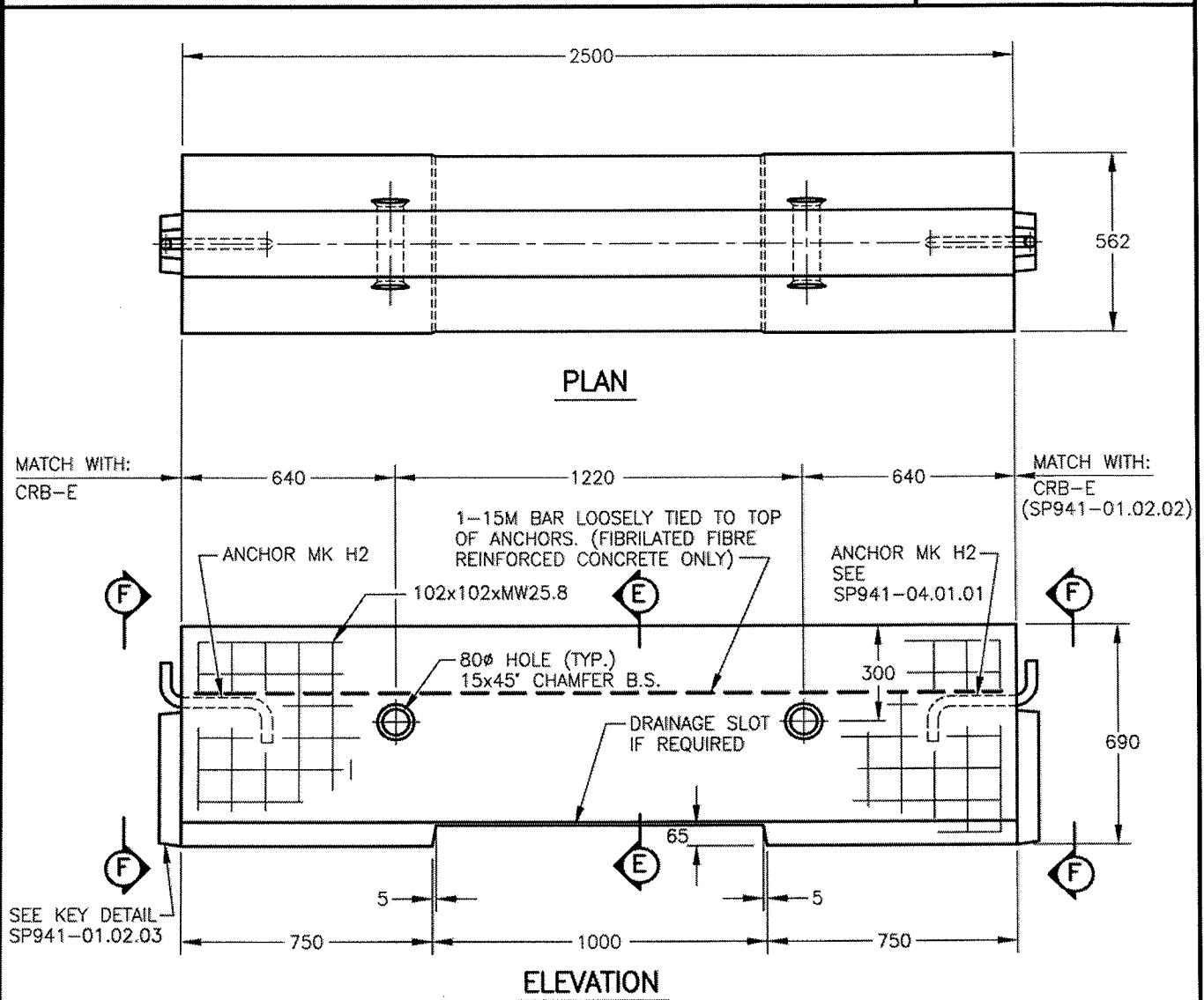
NOTE: FOR GENERAL NOTES SEE SP941-01.01.01

NOT TO SCALE

ALL DIMENSIONS ARE IN MILLIMETRES UNLESS OTHERWISE NOTED

PRECAST CONCRETE ROADSIDE BARRIER
690 mm - CRB-H

SP941-01.02.01

**GENERAL NOTES:**

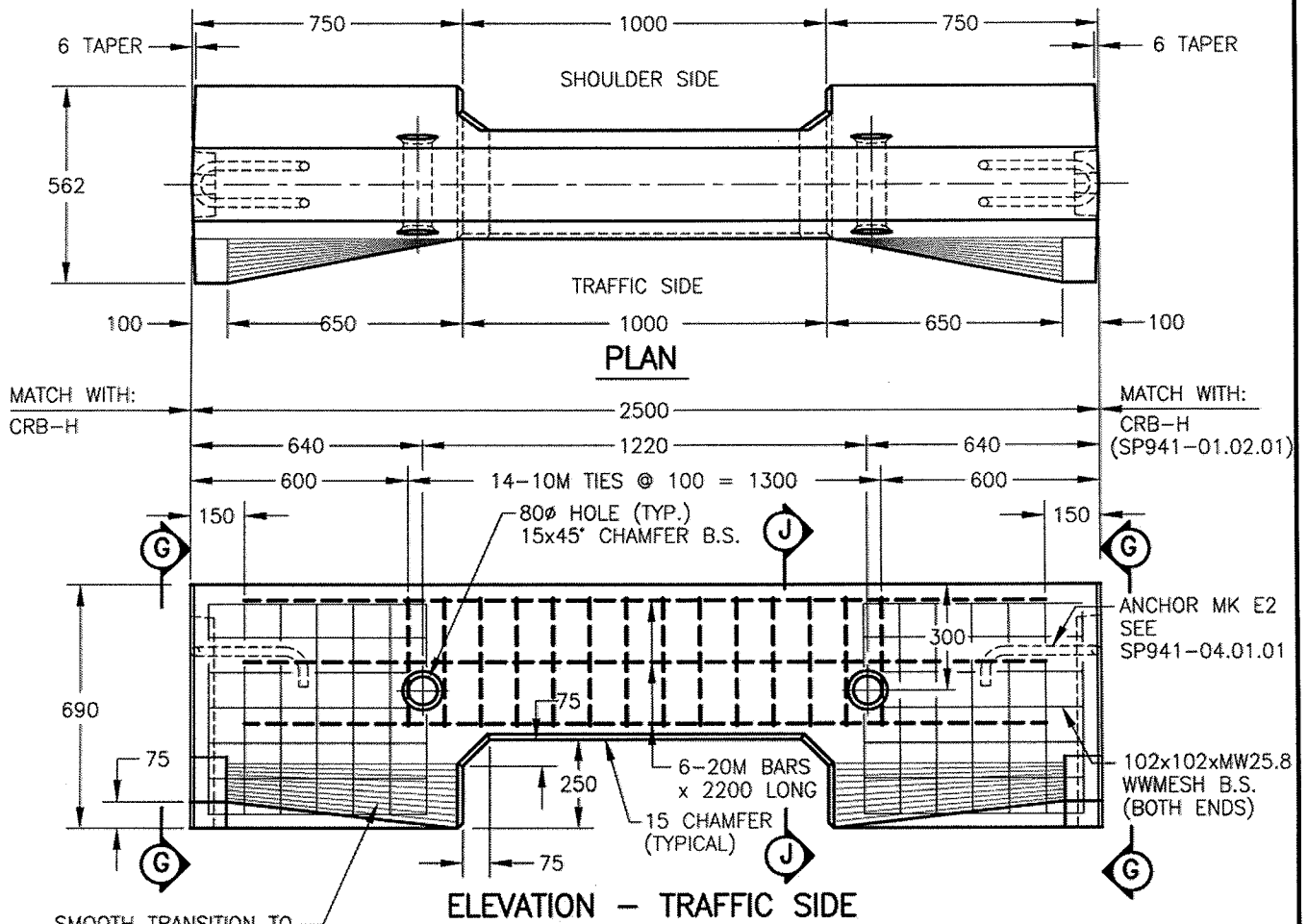
1. FOR SECTION **E** SEE SP941-01.02.02. FOR VIEW **F** SEE SP941-01.02.03.
2. SEE DRAWING SP941-01.02.02 FOR DETAILS OF EYE UNIT.
3. ALL REINFORCING TO HAVE 50 MINIMUM COVER EXCEPT AS NOTED.
4. ALL TOLERANCES ± 3 mm EXCEPT AS NOTED.
5. CHANGES TO PICK-UP HOLE DIAMETERS MAY BE MADE WITH THE WRITTEN PERMISSION OF THE HIGHWAY SAFETY ENGINEER.
6. HOOK AND EYE ANCHORS EACH END SHALL BE SECURED IN PLACE DURING CASTING TO PREVENT DISLODGEEMENT.
7. MATERIALS AND QUALITY OF WORK TO BE IN ACCORDANCE WITH SECTION 941.
8. DRAINAGE SLOT IS REQUIRED WHEN NECESSARY TO DRAIN SURFACE WATER THROUGH THE BARRIER.
9. SHEAR KEY VOID WITH GROUTING HOLES BY REQUEST. SEE SP941-04.02.01.
10. FIBRILATED FIBRE STRAND REINFORCED CONCRETE MAY BE SUBSTITUTED FOR WELDED WIRE MESH REINFORCED CONCRETE.

NOT TO SCALE

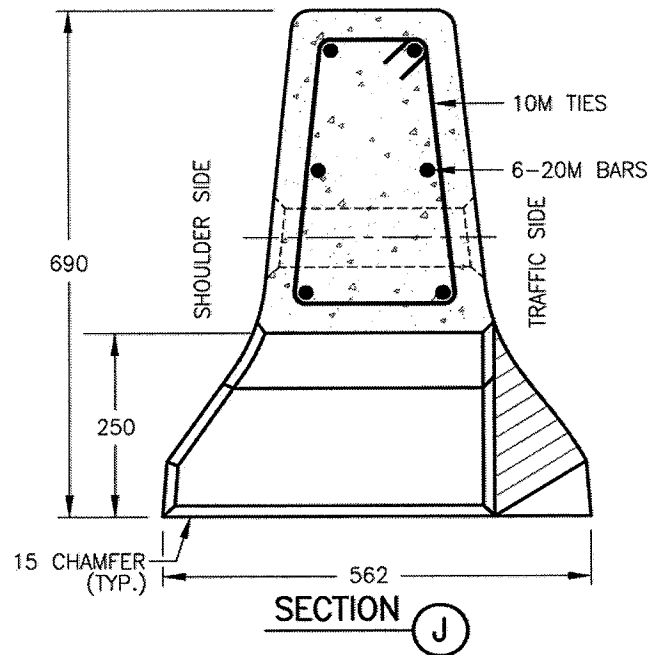
ALL DIMENSIONS ARE IN MILLIMETRES UNLESS OTHERWISE NOTED

PRECAST CONCRETE DRAINAGE BARRIER
690 mm - CDB-E DETAILS

SP941-01.02.05



SMOOTH TRANSITION TO
STANDARD CRB-E
CONFIGURATION



NOTES:

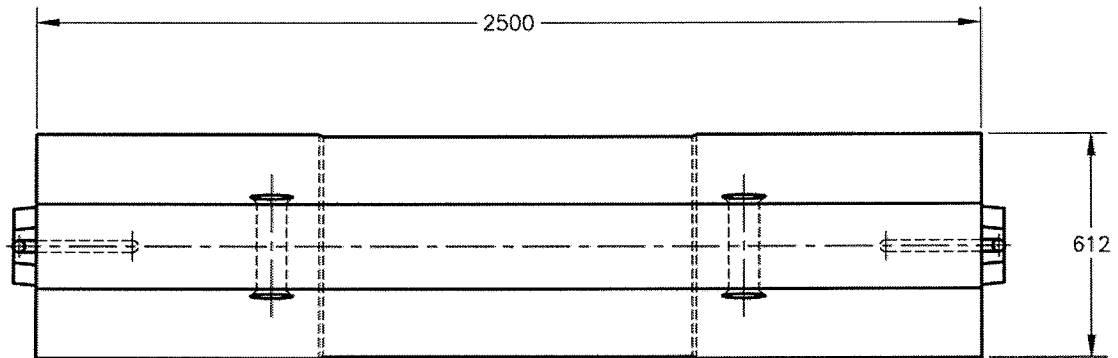
1. FOR VIEW **G** SEE SP941-01.02.04.
2. SEE SP941-01.02.01 FOR DETAILS OF CONNECTING HOOK UNIT.
3. FOR GENERAL NOTES SEE SP941-01.02.01
4. FIBRILATED FIBRE STRAND REINFORCED CONCRETE MAY BE SUBSTITUTED FOR WELDED WIRE MESH REINFORCED CONCRETE. ADDITIONAL BARS AND TIES WILL STILL APPLY.

NOT TO SCALE

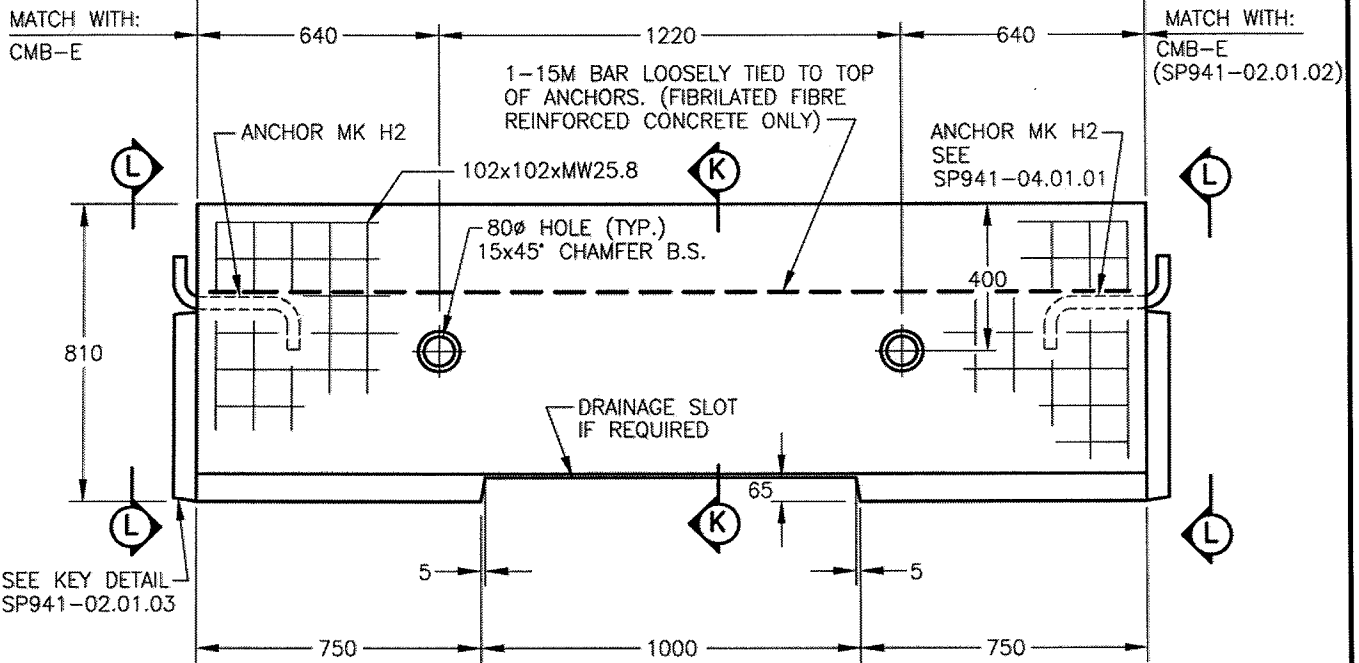
ALL DIMENSIONS ARE IN MILLIMETRES UNLESS OTHERWISE NOTED

PRECAST CONCRETE MEDIAN BARRIER
810 mm - CMB-H

SP941-02.01.01



PLAN



ELEVATION

NOTES:

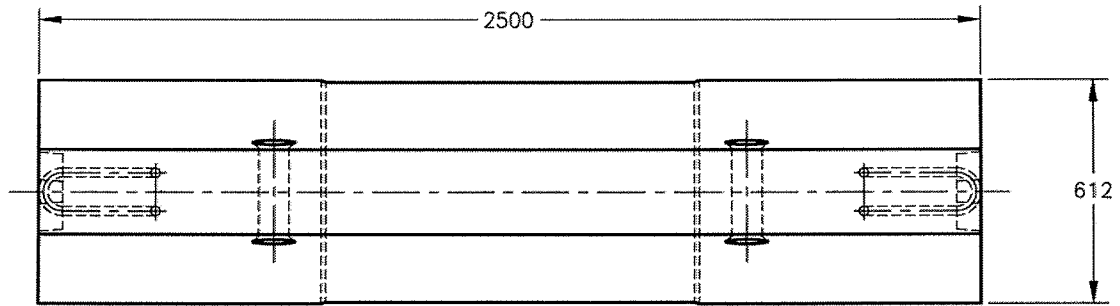
1. FOR SECTION (K) SEE SP941-02.01.02 FOR VIEW (L) SEE SP941-02.01.03.
2. FOR GENERAL NOTES SEE SP941-01.02.01
3. SEE DRAWING SP941-02.01.02 FOR DETAILS OF EYE UNIT.

NOT TO SCALE

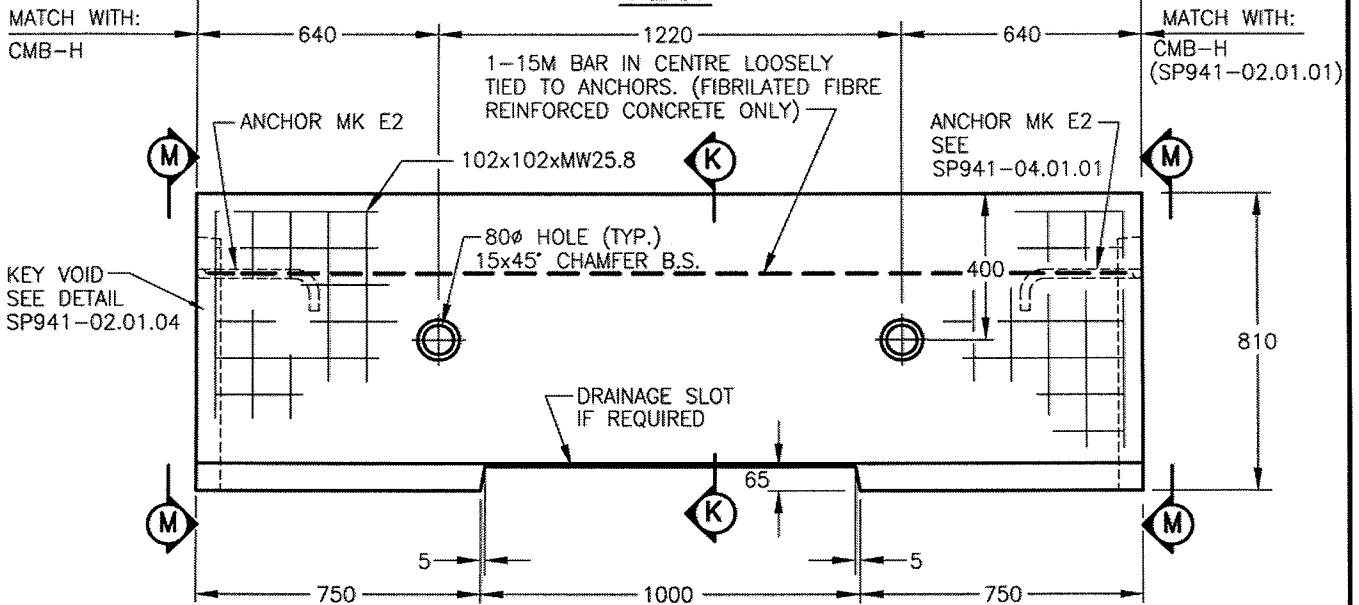
ALL DIMENSIONS ARE IN MILLIMETRES UNLESS OTHERWISE NOTED

PRECAST CONCRETE MEDIAN BARRIER
810 mm - CMB-E

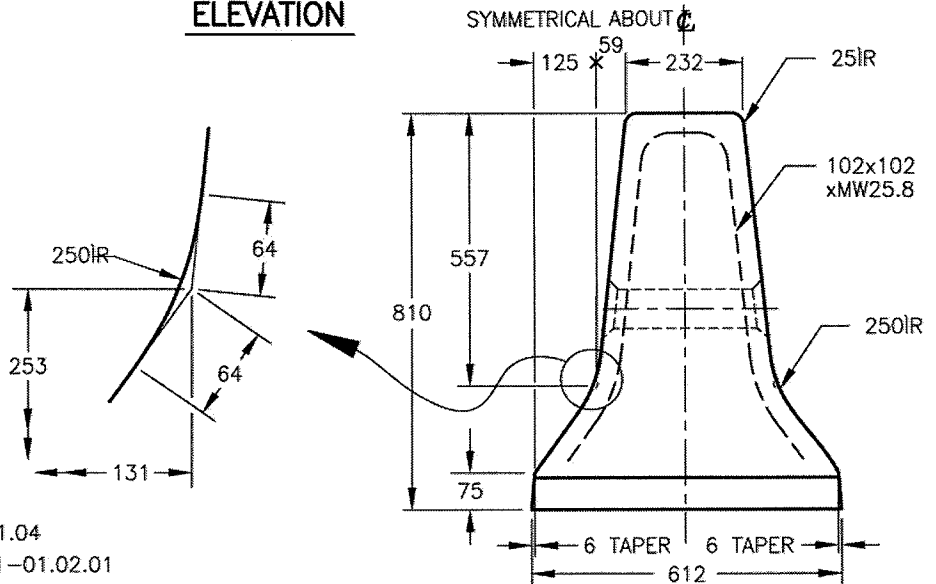
SP941-02.01.02



PLAN



ELEVATION



SECTION K

NOTES:

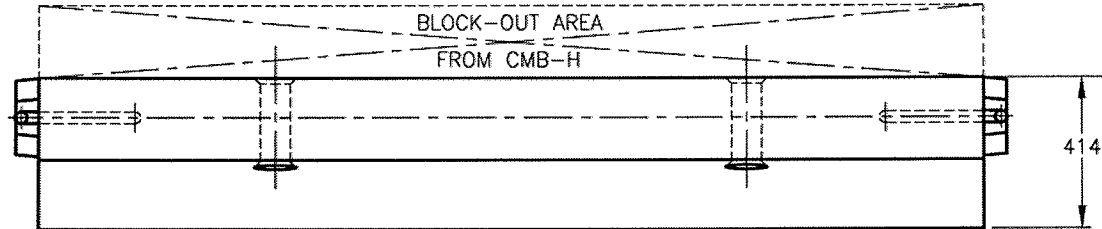
1. FOR VIEW (M) SEE SP941-02.01.04
2. FOR GENERAL NOTES SEE SP941-01.02.01
3. SEE DRAWING SP941-02.01.01 FOR DETAILS OF HOOK UNIT.

NOT TO SCALE

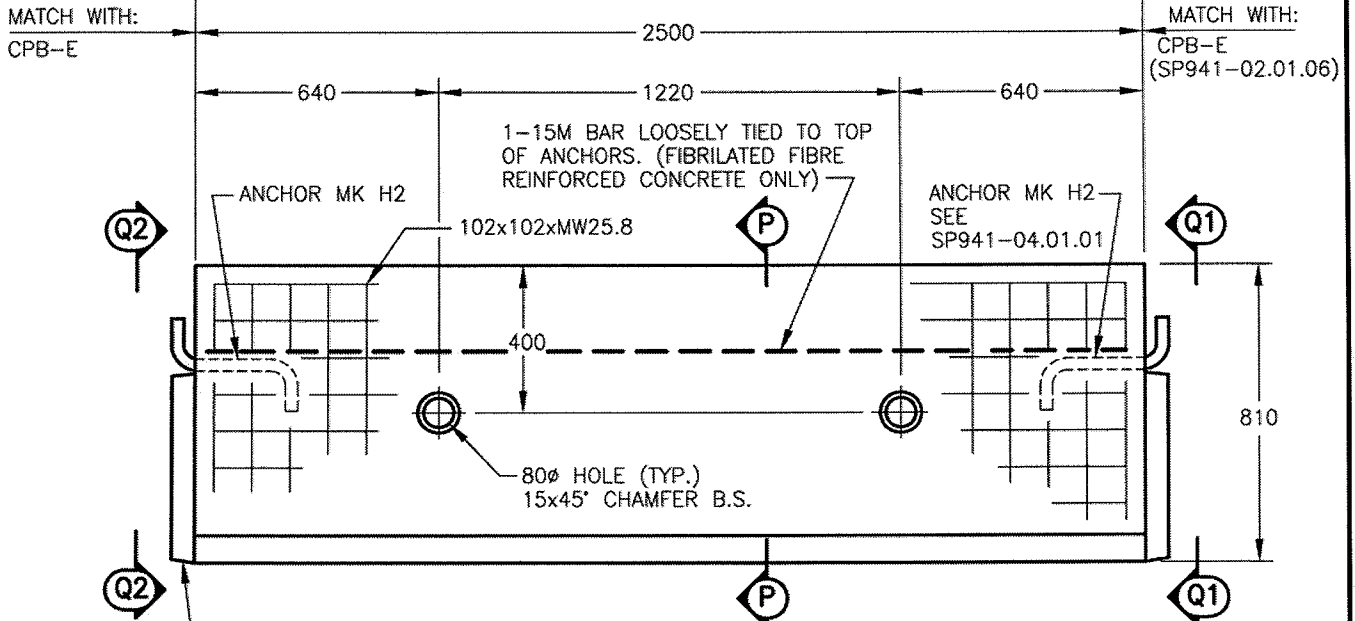
ALL DIMENSIONS ARE IN MILLIMETRES UNLESS OTHERWISE NOTED

PRECAST CONCRETE PIER BARRIER
810 mm - CPB-H

SP941-02.01.05



PLAN



ELEVATION

SEE KEY DETAIL
SP941-02.01.07

NOTES:

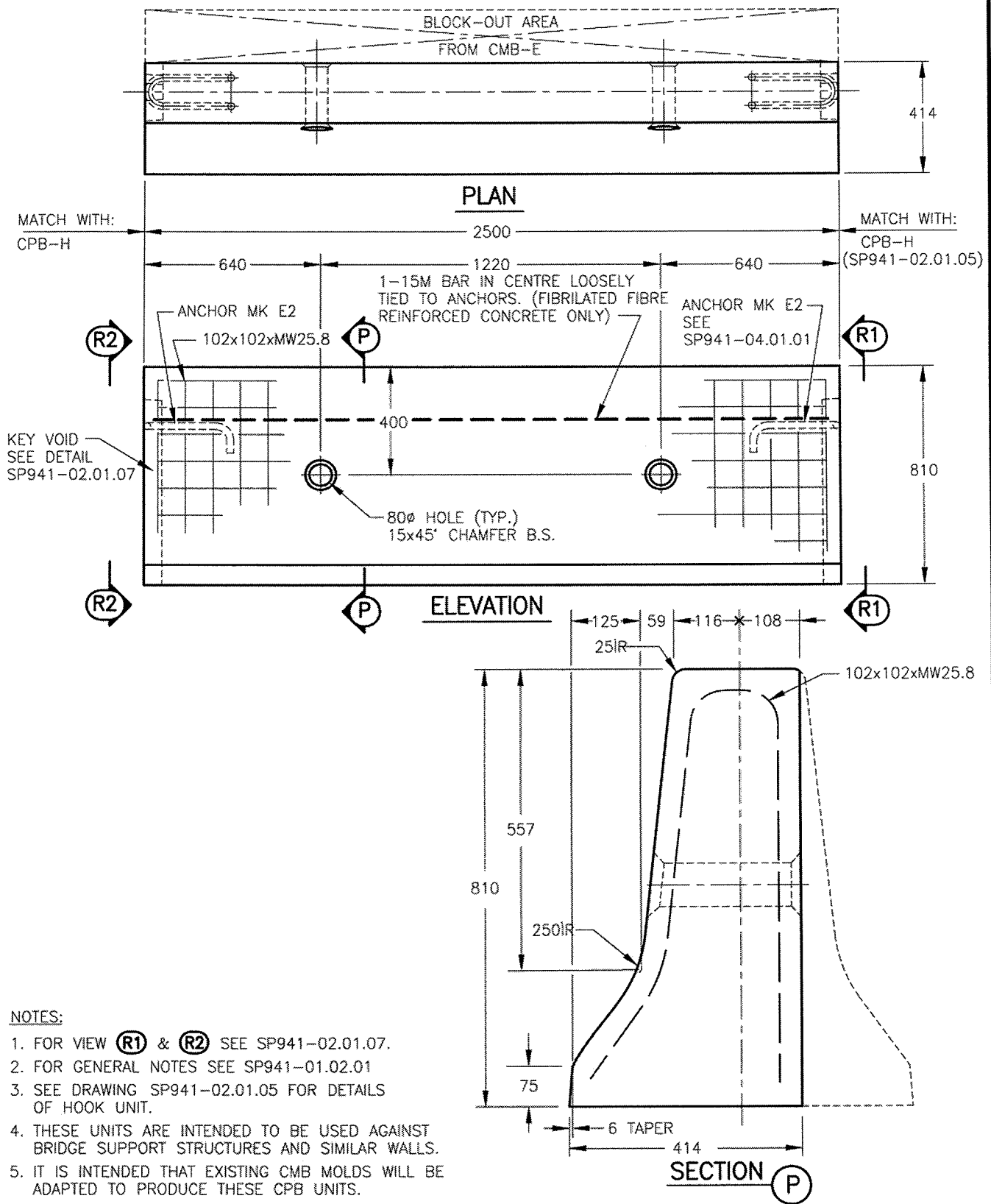
1. FOR SECTION (P) SEE SP941-02.01.06.
FOR VIEW (Q1) & (Q2) SEE SP941-02.01.07.
2. FOR GENERAL NOTES SEE SP941-01.02.01
3. SEE DRAWING SP941-02.01.06 FOR DETAILS OF EYE UNIT.
4. THESE UNITS ARE INTENDED TO BE USED AGAINST BRIDGE SUPPORT STRUCTURES AND SIMILAR WALLS.
5. IT IS INTENDED THAT EXISTING CMB MOLDS WILL BE ADAPTED TO PRODUCE THESE CPB UNITS.

NOT TO SCALE

ALL DIMENSIONS ARE IN MILLIMETRES UNLESS OTHERWISE NOTED

PRECAST CONCRETE PIER BARRIER
810 mm - CPB-E

SP941-02.01.06



NOTES:

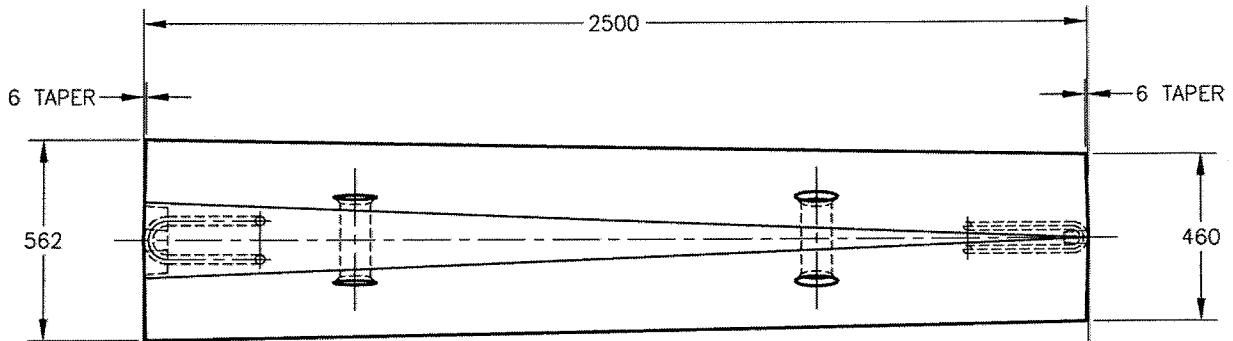
1. FOR VIEW (R1) & (R2) SEE SP941-02.01.07.
2. FOR GENERAL NOTES SEE SP941-01.02.01
3. SEE DRAWING SP941-02.01.05 FOR DETAILS OF HOOK UNIT.
4. THESE UNITS ARE INTENDED TO BE USED AGAINST BRIDGE SUPPORT STRUCTURES AND SIMILAR WALLS.
5. IT IS INTENDED THAT EXISTING CMB MOLDS WILL BE ADAPTED TO PRODUCE THESE CPB UNITS.

NOT TO SCALE

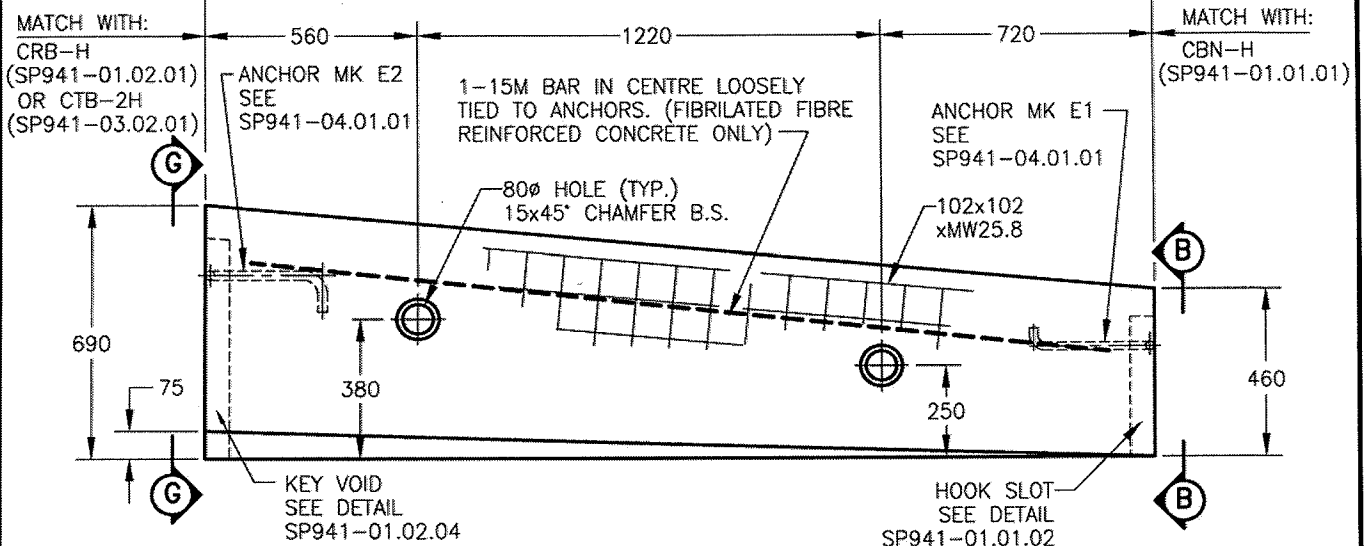
ALL DIMENSIONS ARE IN MILLIMETRES UNLESS OTHERWISE NOTED

PRECAST CONCRETE TRANSITION BARRIER
690 mm TO 460 mm - CTB-1E

SP941-03.01.01



PLAN



ELEVATION

NOTES:

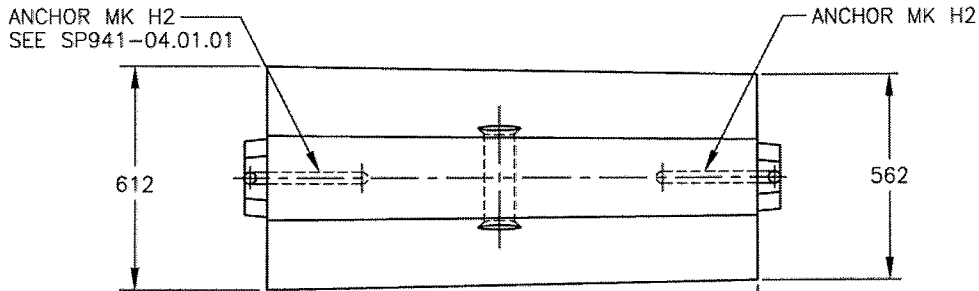
1. FOR VIEW **(B)** SEE SP941-01.01.02. FOR VIEW **(G)** SEE SP941-01.02.04.
2. FOR GENERAL NOTES SEE SP941-01.02.01.
3. SEE DRAWINGS SP941-01.01.01 AND SP941-01.01.02 FOR DETAILS OF 460 mm UNIT AND BULLNOSE. SEE DRAWING SP941-01.02.01 FOR DETAILS OF 690 mm HOOK UNIT OR SP941-03.02.01 FOR DETAILS OF 810 TO 690 TRANSITION UNIT.

NOT TO SCALE

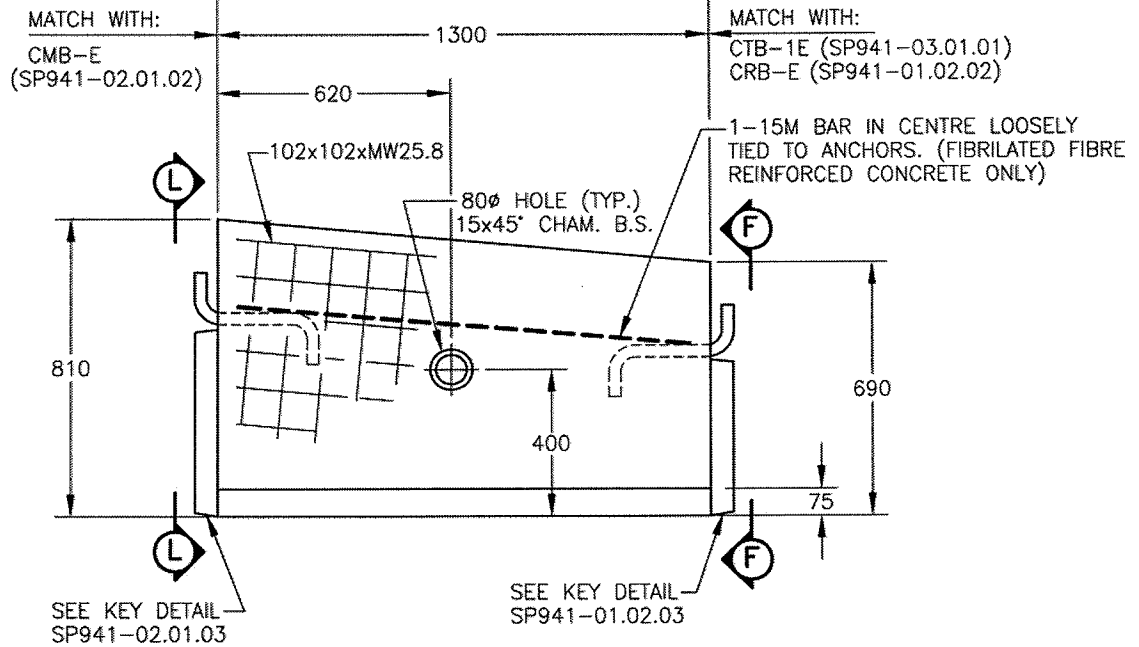
ALL DIMENSIONS ARE IN MILLIMETRES UNLESS OTHERWISE NOTED

PRECAST CONCRETE TRANSITION BARRIER
810 mm TO 690 mm – CTB-2H

SP941-03.02.01



PLAN



ELEVATION

NOTES:

1. FOR VIEW (F) SEE SP941-01.02.03.
FOR VIEW (L) SEE SP941-02.01.03.
2. FOR GENERAL NOTES SEE SP941-01.02.01.
3. SEE DRAWING SP941-02.01.02 FOR DETAILS OF 810 mm EYE UNIT.
SEE DRAWING SP941-01.02.02 FOR DETAILS OF 690 mm EYE UNIT
OR SP941-03.01.01 FOR DETAILS OF 690 TO 460 TRANSITION UNIT.

NOT TO SCALE

ALL DIMENSIONS ARE IN MILLIMETRES UNLESS OTHERWISE NOTED