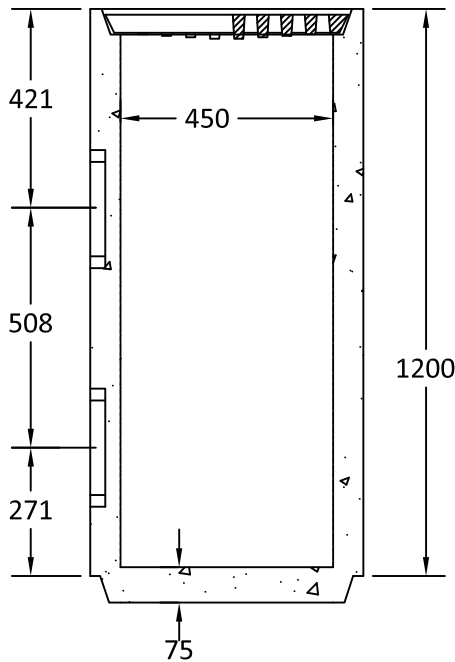


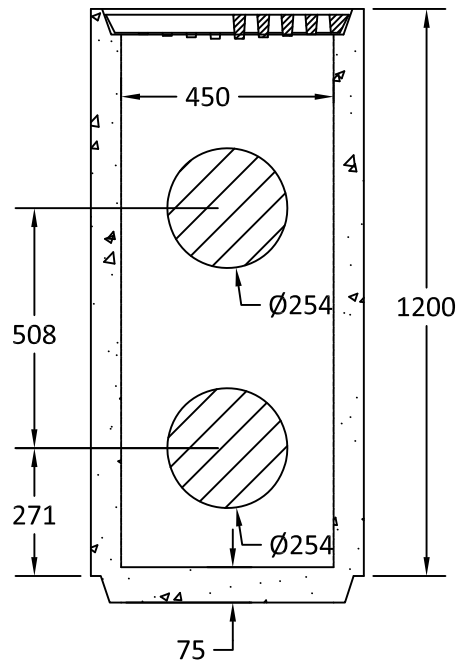
Plan View

TR27 Style Cast Iron Grate



Section A-A

TR27 Style Cast Iron Grate



Section B-B

Notes:

1. Lawn drains manufactured to ASTM C478 specifications.
2. Minimum concrete strength: 35 MPa.
3. 2 - Ø250mm cores provided.
4. Supplied with 75mm thick cast in base.
5. Groove end at rim accepts TR27 Cast Iron Grate.
6. Risers available: 150, 300, 450, 600mm heights.
7. Designed to suit On Site Stormwater Detention installation.
8. All dimensions are in millimeters.



Quality Assurance of products manufactured by The Langley Concrete Group has been verified by the following third party certification programs:



The LANGLEY CONCRETE Group of Companies  
www.langleyconcretegroup.com

DESCRIPTION:

Custom Ø450  
Lawn Drain

DRAWN BY: JAO

JOB NO.: N/A

CHK BY: KS

DWG NO: LB-450SD

DATE: Jan. 21, 2018

REV. BY: CC  
Aug. 13, 2018

SCALE: 1:16

This drawing is the property of the Langley Concrete Group of Companies. All information contained herein is confidential and may not be used in whole or in part without written permission from the owner.

LCG Products are held to the governing ASTM, and CSA specification & tolerances.

LANGLEY (604) 533-1656 VICTORIA (250) 478-9581 CHILLIWACK 1-800 667-9600