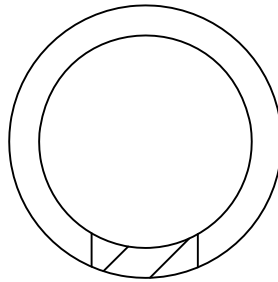
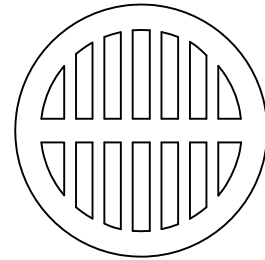


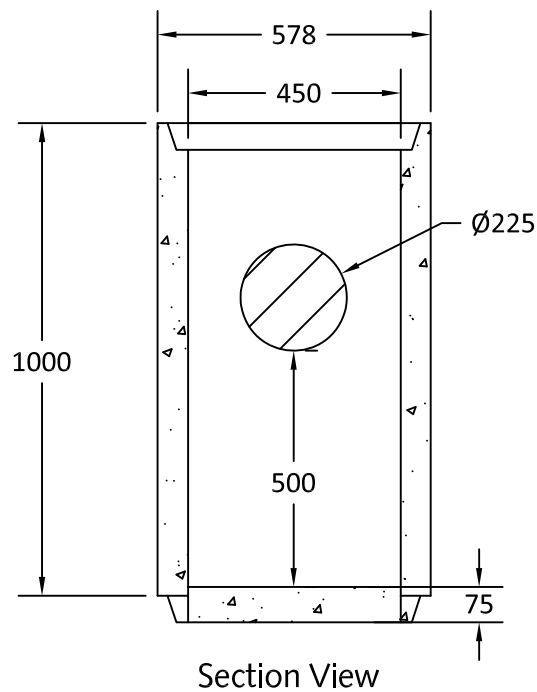
TR27 Style Cast Iron Grate



Plan View



Slotted Concrete Lid



Section View

Notes:

1. Lawn Drain suitable for non-traffic or occasional loading use.
2. Supplied with Ø225 'knock-out' core for service connection.
3. Available with or without inside base.
4. Top of section accepts 'drop-in' style TR27 grates, concrete slotted lids, and solid light duty concrete lids.
5. Manufactured to ASTM C14 specifications.
6. Approx. weight: 250 kgs. / 290 kgs. with base.
7. All dimensions are in millimeters.
8. Min. concrete strength: 30 MPa.



Quality Assurance of products manufactured by The Langley Concrete Group has been verified by the following third party certification programs:



The **LANGLEY CONCRETE** Group of Companies

www.langleyconcretegroup.com

DESCRIPTION:

Ø450X1000
Standard Lawnbasin

DRAWN BY: JAO

JOB NO.: N/A

CHK BY: KS

DWG NO: Lb-1a

DATE: Apr. 28, 2010

REV. BY: CC
Aug. 13, 2018

SCALE: 1:16

This drawing is the property of the Langley Concrete Group of Companies. All information contained herein is confidential and may not be used in whole or in part without written permission from the owner.

LCG Products are held to the governing ASTM, and CSA specification & tolerances.

LANGLEY (604) 533-1656 VICTORIA (250) 478-9581 CHILLIWACK 1-800 667-9600