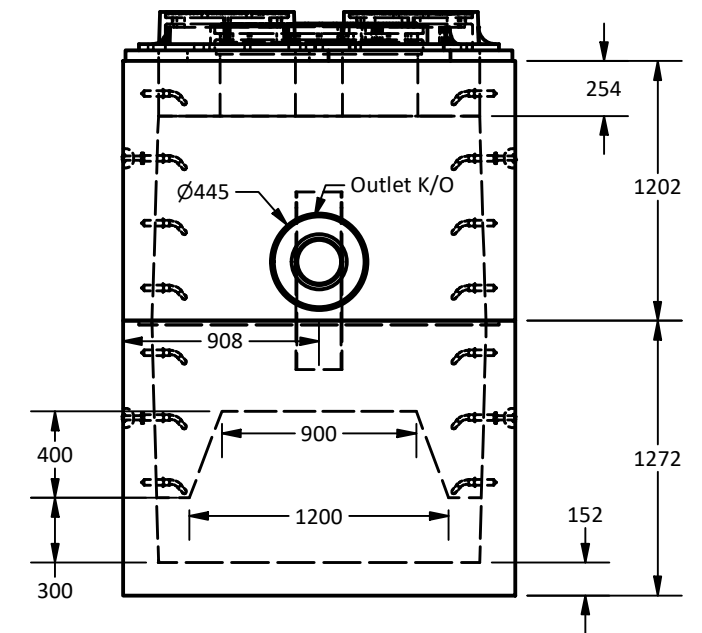
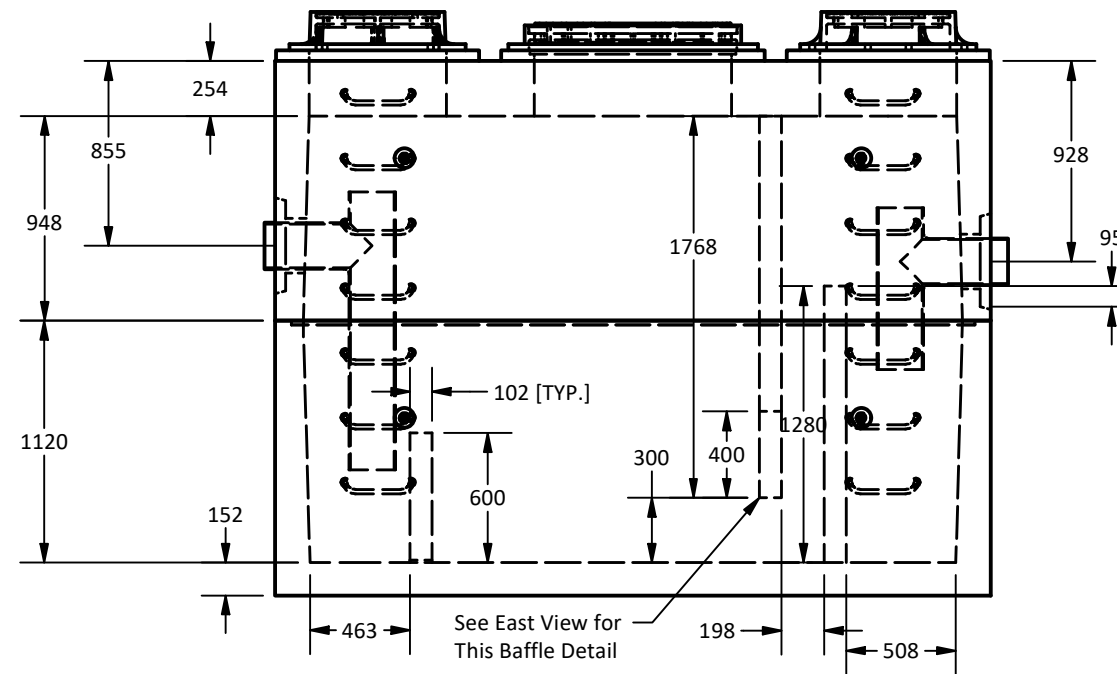
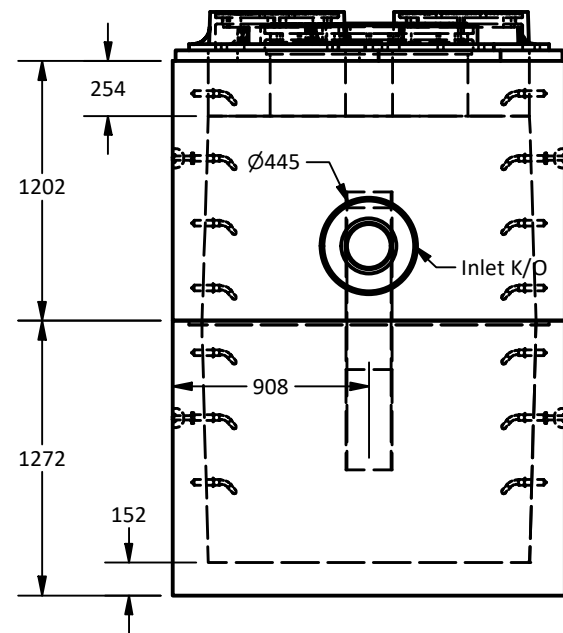
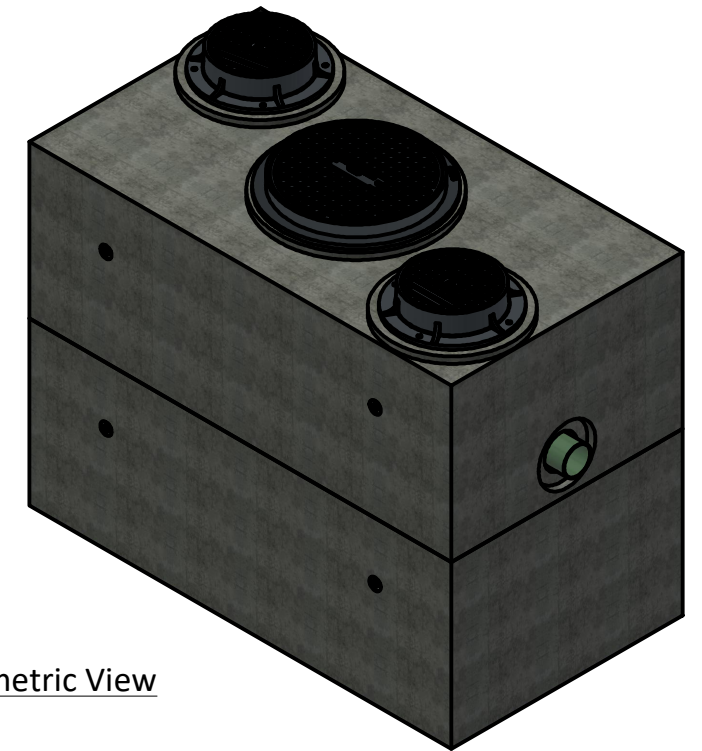
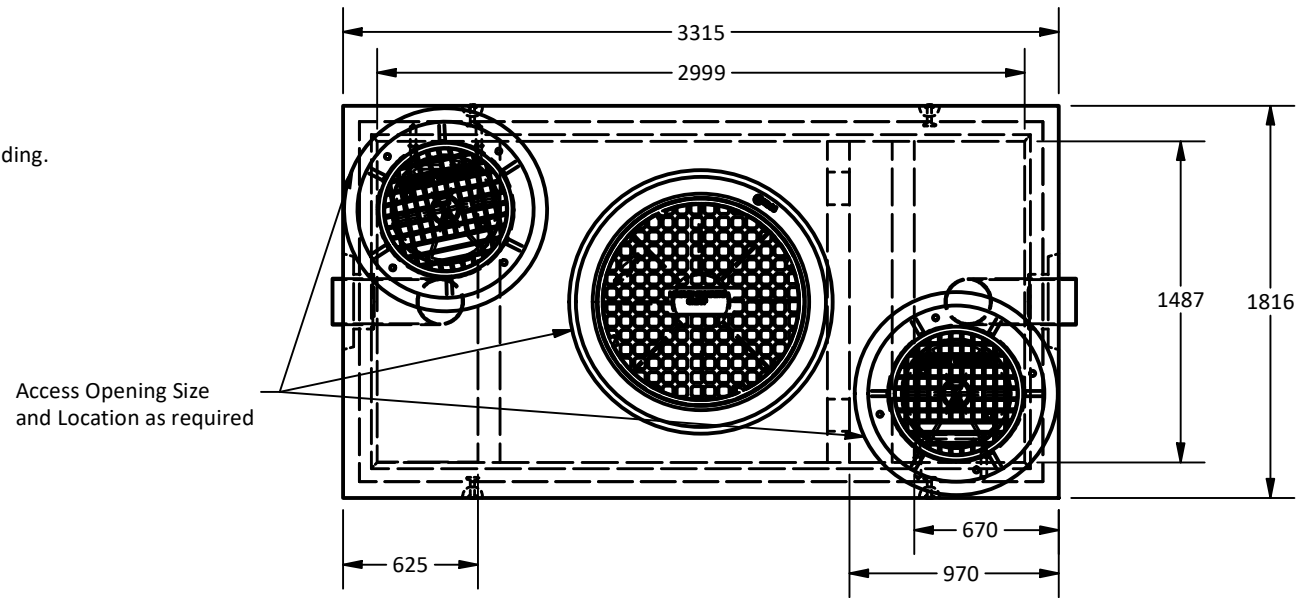


PART LIST			
ITEM	QTY	PART NUMBER	WEIGHT
1	1	3152 Vault - Bottom Section	7,400 kg.
2	1	3152 Vault - Top Section	6,800 kg.

- Notes:
- 3152 Oil interceptor [API Style] manufactured to meet AASHTO HS20/BCL-625 live loading.
 - Concrete vault designed for the following earth covers:
 - Minimum: 0 m.
 - Maximum: 2.5 m.
 - Oil interceptor supplied with 102 mm thick concrete baffles as shown.
 - Unit has a maximum 5,580 liter [5.58 m³] capacity.
 - PVC required by design, installed by others in field.
 - Design can be modified for specific application, please contact LCG sales office.
 - Unit supplied with opening for access as required.
 - Unit supplied with knock-out cores for inlet/outlet as required.
 - Unit supplied with ladder rungs as required.
 - Unit supplied with lifting insert as required.
 - Minimum rebar yield strength: 414 MPa.
 - Minimum concrete strength: 35 MPa.
 - PVC T required by design, supplied and installed by others in field.
 - All dimensions are in millimeters.



Langley Concrete Group is a certified Q-Cast Plant, an American Concrete Pipe Association Third Party Certification for the manufacture of Pipe, Manhole, Box Culvert & Precast Items.



Quality Assurance of products manufactured by The Langley Concrete Group has been verified by the following third party certification programs



All Dimensions are in Millimeters. Unless otherwise Stated

Projection Method: THIRD ANGLE



LANGLEY (604) 533-1656
VICTORIA (250) 478-9581
CHILLIWACK 1-800 667-9600

This drawing is the property of the Langley Concrete Group of Companies. All information contained herein is confidential and may not be used in whole or in part without written permission from the owner

DESCRIPTION:

3152 Oil Interceptor [API Style]

DRAWN BY: SR		JOB NO.
CHK BY: KS		DWG NO: 3152-API-1.0
DATE: Aug.29, 2018		
SCALE: 1:35		
SIZE: 11 x 17	REV.	SHEET 1 OF 1