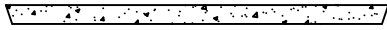


Inner Light Lid

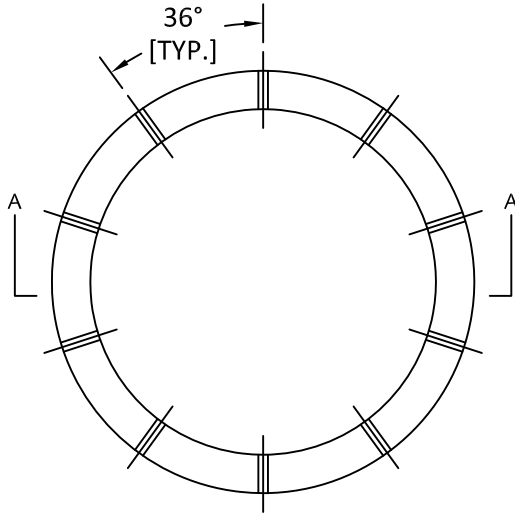
Inspection Lid w/ 600 mm Inner

Approximate Weight: 225 kg

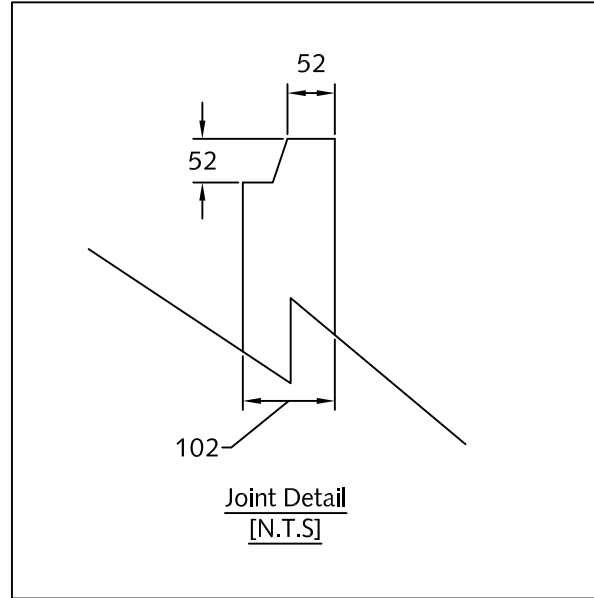


Light Lid

Approximate Weight: 95 kg

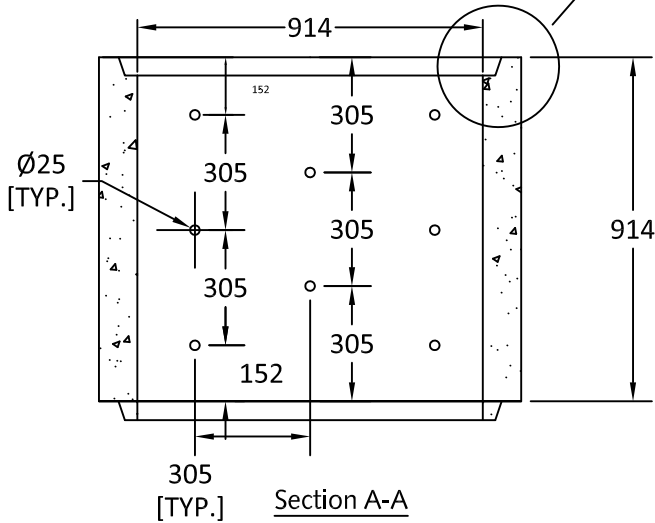


Plan View



Joint Detail
[N.T.S]

See Joint Detail



Section A-A

Notes:

1. Ø900 x 900 mm Perforated risers are manufactured for ASTM C 444 specification.
2. Perforated risers are not intended for use in vehicular traffic areas.
3. Light lids are not rated for vehicular traffic.
4. Lids c/w recessed handles for lifting.
5. Unit c/w optional ladder rungs.
6. unit c/w lifting inserts as required.
7. 900 mm Risers available.
8. Approximate weight:
 - Ø900 x 900 mm: 785 kg.
9. Minimum concrete strength: 27.6 MPa.
10. All dimensions are in millimeters.



Quality Assurance of products manufactured by The Langley Concrete Group has been verified by the following third party certification programs:



The **LANGLEY CONCRETE** Group of Companies
www.langleyconcretegroup.com

DESCRIPTION:

Ø900 x 900 mm
Perforated Risers

DRAWN BY: KS	JOB NO.: N/A
CHK BY: JAO/TM	DWG NO: PR-1
DATE: Apr. 22, 2010	REV. BY: CC
SCALE: 1:20	Aug. 10, 2018
<small>This drawing is the property of the Langley Concrete Group of Companies. All information contained herein is confidential and may not be used in whole or in part without written permission from the owner.</small>	
LCG Products are held to the governing ASTM, and CSA specification & tolerances.	