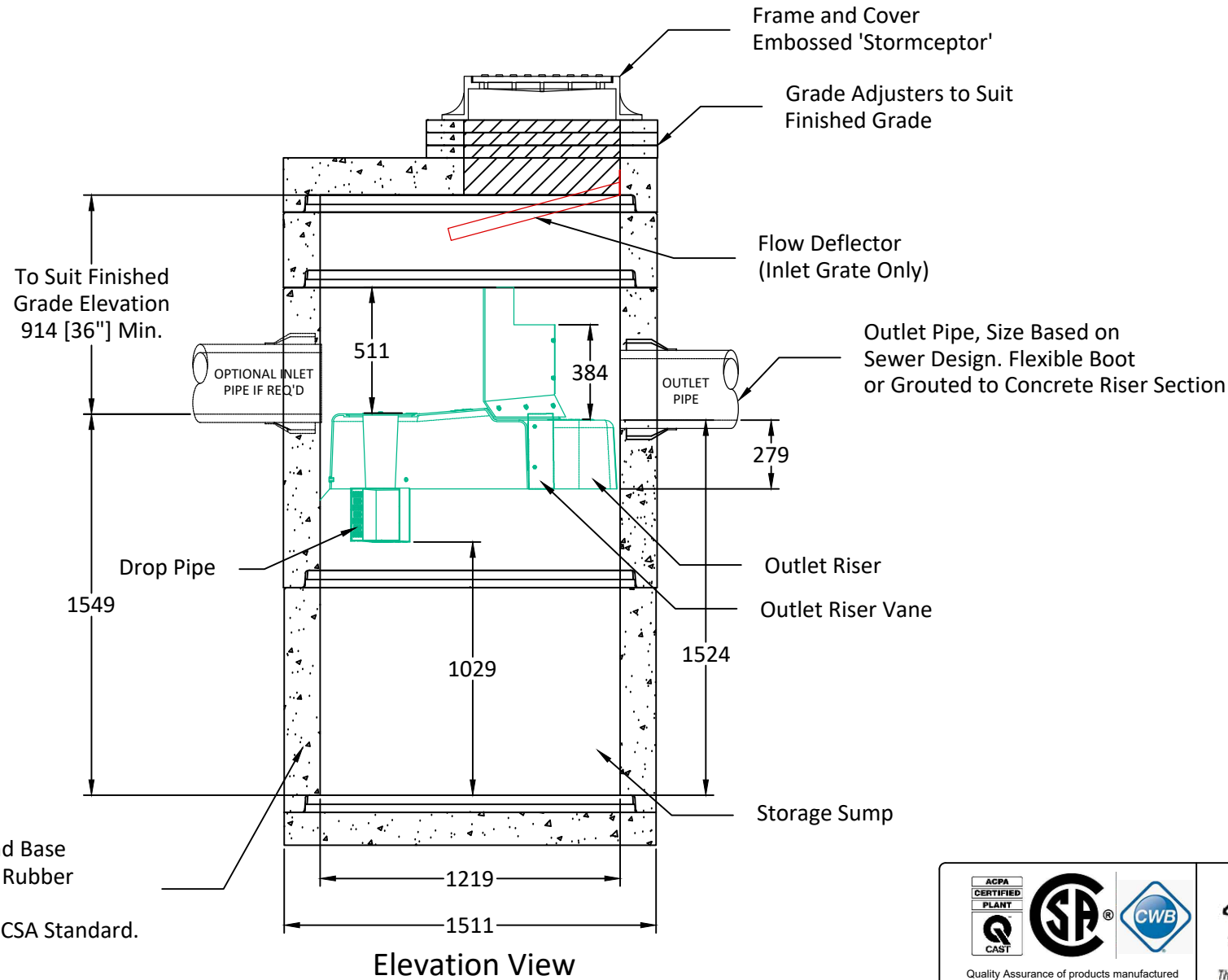


Plan View



Elevation View

Concrete Riser and Base Components c/w Rubber Gasket for Joints. Manufactured to CSA Standard.

Notes:

- * Maximum Surface Loading Rate (SLR) into lower chamber through drop pipe is 1135 L/min/m² (27.9 gpm/ft²) for Stormceptor EF4 and 535 L/min/m² (13.1 gpm/ft²) for Stormceptor EFO4 (oil capture configuration). Weir height is 150 mm (6 inch) for EF04.
- 1. Ø1200 mm Manhole manufactured to ASTM C 478 Specifications.
- 2. STC-EF4 to be supplied in components as shown.
- 3. Unit designed to withstand HS20/BCL625 live loading.
- 4. Unit c/w cores for inlet/outlet as shown.
- 5. Unit supplied w/ lifting inserts as required.
- 6. Unit supplied with step opening as required.
- 7. Minimum concrete strength:
 - Barrel: 30 MPa.
 - Lid & Base: 35 MPa.
- 8. Minimum rebar yield strength: 414 MPa. (Steel Grade: CSA 30.18-400 Weldable)
- 9. Unit supplied with Tylox Super Seal Gasket System for water and soil/silt tight gasket and joint to meet or exceed ASTM C443, ASTM C1619 and CSA A-257.3.
- 10. Minimum WWF yield strength: 448 MPa.
- 11. Barrels configuration's subject to change based on availability.
- 12. All dimensions are in millimeters unless otherwise specified



Quality Assurance of products manufactured by The Langley Concrete Group has been verified by the following third party certification programs;



The LANGLEY CONCRETE Group of Companies
www.langleyconcretegroup.com

DESCRIPTION:

EF 4
Standard Drawing

LANGLEY (604) 533-1656 VICTORIA (250) 478-9581 CHILLIWACK 1-800 667-9600

DRAWN BY: SR	JOB NO.:####-##
CHK BY: KS	DWG NO: EF4
DATE: Apr 27, 2020	REV.
SCALE: 1:25	MU NO.:####-##
<small>This drawing is the property of the Langley Concrete Group of Companies. All information contained herein is confidential and may not be used in whole or in part without written permission from the owner.</small>	
<small>LCG Products are held to the governing ASTM, and CSA specification & tolerances.</small>	