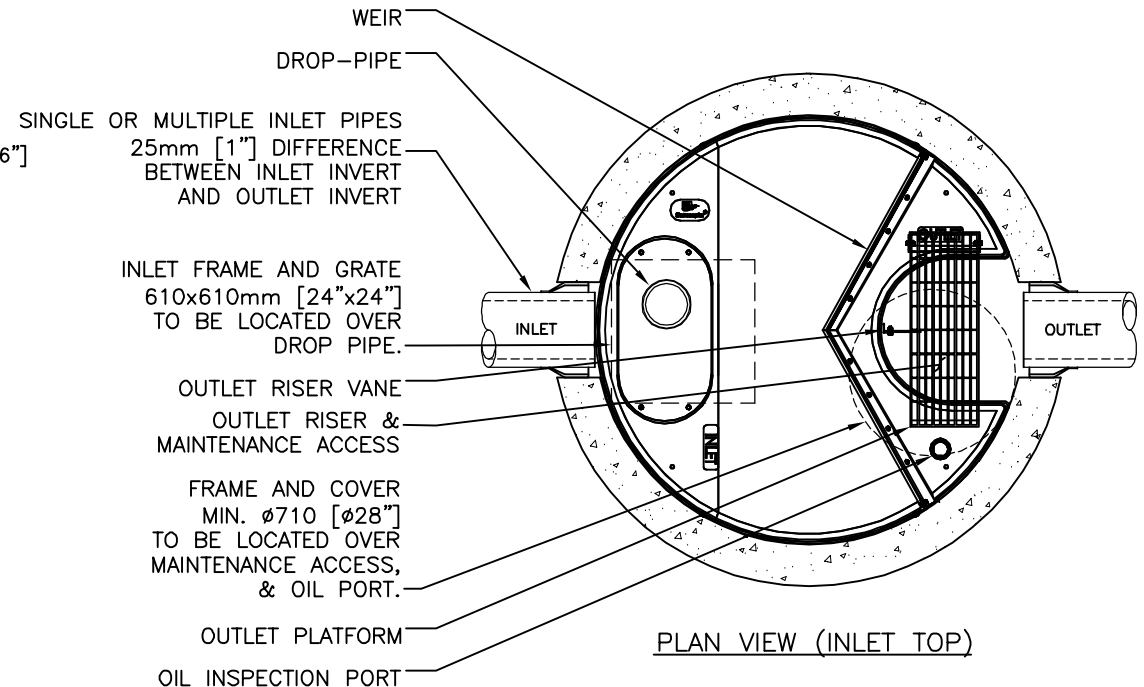
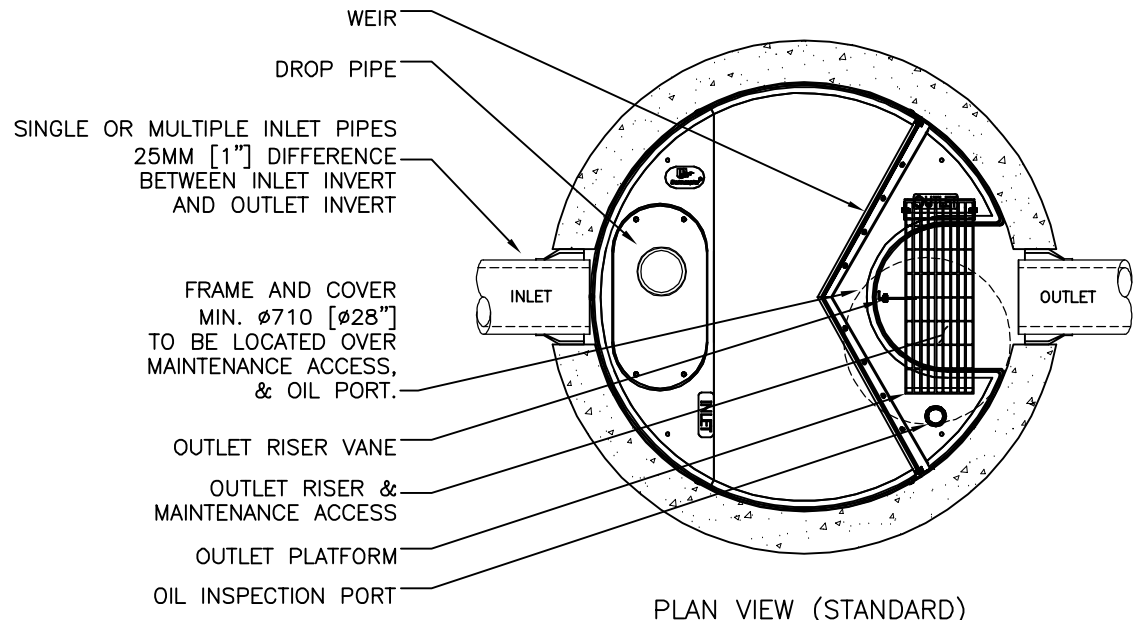
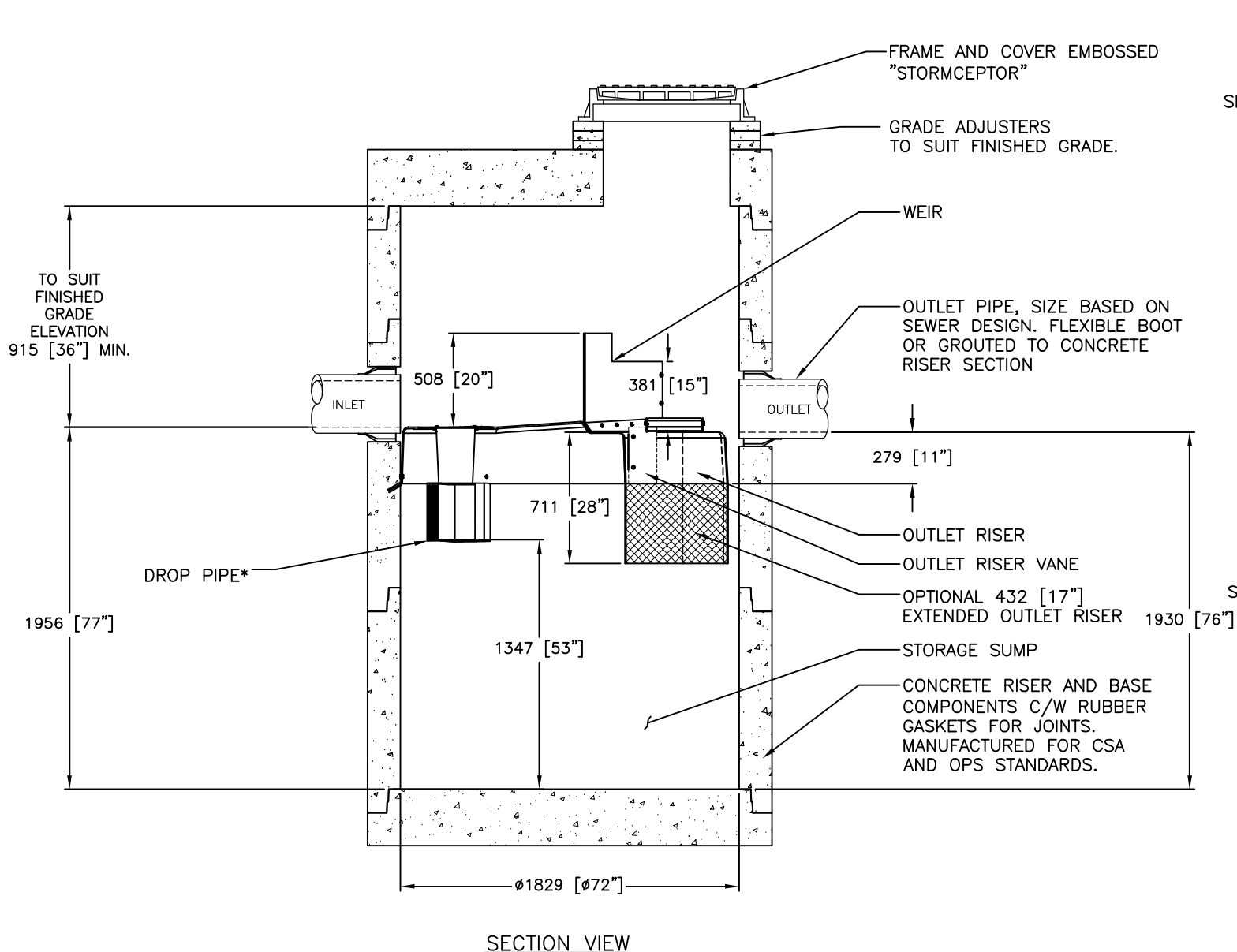


DRAWING NOT TO BE USED FOR CONSTRUCTION



GENERAL NOTES:

- * MAXIMUM SURFACE LOADING RATE (SLR) INTO LOWER CHAMBER THROUGH DROP PIPE IS 1135 L/min/m² (27.9 gpm/ft²) FOR STORMCEPTOR EF6 AND 535 L/min/m² (13.1 gpm/ft²) FOR STORMCEPTOR EFO6 (OIL CAPTURE CONFIGURATION).
- 1. ALL DIMENSIONS INDICATED ARE IN MILLIMETERS (INCHES) UNLESS OTHERWISE SPECIFIED.
- 2. STORMCEPTOR STRUCTURE INLET AND OUTLET PIPE SIZE AND ORIENTATION SHOWN FOR INFORMATIONAL PURPOSES ONLY.
- 3. UNLESS OTHERWISE NOTED, BYPASS INFRASTRUCTURE, SUCH AS ALL UPSTREAM DIVERSION STRUCTURES, CONNECTING STRUCTURES, OR PIPE CONDUITS CONNECTING TO COMPLETE THE STORMCEPTOR SYSTEM SHALL BE PROVIDED AND ADDRESSED SEPARATELY.
- 4. DRAWING FOR INFORMATION PURPOSES ONLY. REFER TO ENGINEER'S SITE/UTILITY PLAN FOR STRUCTURE ORIENTATION.
- 5. NO PRODUCT SUBSTITUTIONS SHALL BE ACCEPTED UNLESS SUBMITTED 10 DAYS PRIOR TO PROJECT BID DATE, OR AS DIRECTED BY THE ENGINEER OF RECORD.

INSTALLATION NOTES

- A. ANY SUB-BASE, BACKFILL DEPTH, AND/OR ANTI-FLOTATION PROVISIONS ARE SITE-SPECIFIC DESIGN CONSIDERATIONS AND SHALL BE SPECIFIED BY ENGINEER OF RECORD.
- B. CONTRACTOR TO PROVIDE EQUIPMENT WITH SUFFICIENT LIFTING AND REACH CAPACITY TO LIFT AND SET THE STRUCTURE (LIFTING CLUTCHES PROVIDED)
- C. CONTRACTOR WILL INSTALL AND LEVEL THE STRUCTURE, SEALING THE JOINTS, LINE ENTRY AND EXIT POINTS (NON-SHRINK GROUT WITH APPROVED WATERSTOP OR FLEXIBLE BOOT)
- D. CONTRACTOR TO TAKE APPROPRIATE MEASURES TO PROTECT THE DEVICE FROM CONSTRUCTION-RELATED EROSION RUNOFF.
- E. DEVICE ACTIVATION, BY CONTRACTOR, SHALL OCCUR ONLY AFTER SITE HAS BEEN STABILIZED AND THE STORMCEPTOR UNIT IS CLEAN AND FREE OF DEBRIS.

SITE SPECIFIC DATA REQUIREMENTS

STORMCEPTOR MODEL	EFO6
STRUCTURE ID	*
HYDROCARBON STORAGE REQ'D (L)	*
WATER QUALITY FLOW RATE (L/s)	*
PEAK FLOW RATE (L/s)	*
RETURN PERIOD OF PEAK FLOW (yrs)	*
DRAINAGE AREA (HA)	*
DRAINAGE AREA IMPERVIOUSNESS (%)	*
PIPE DATA:	I.E. MAT'L DIA SLOPE % HGL
INLET #1	* * * * *
INLET #2	* * * * *
OUTLET	* * * * *
* PER ENGINEER OF RECORD	

The design and information shown on this drawing is provided as a service to the project owner, engineer and contractor by Imbrium Systems ("Imbrium"). Neither the drawing, nor any part thereof, may be used for any purpose other than that intended without the prior written consent of Imbrium. Failure to comply in accordance with the intended use of this drawing shall be done at the user's own risk, and Imbrium expressly disclaims any liability or responsibility for such use. If discrepancies between the supplied information upon which this drawing is based and actual field conditions are discovered, Imbrium shall not be responsible. Imbrium shall not be responsible for re-evaluation of the design. Imbrium accepts no liability for designs based on missing, incomplete or inaccurate information supplied by others.

MARK	DATE	REVISION DESCRIPTION	BY
###	###/###/###		
###	###/###/###		
###	###/###/###		
###	###/###/###		
1	6/8/18	OUTLET PLATFORM	JSK
0	05/26/17	INITIAL RELEASE	JSK

SCALE = NTS

7037 RIDGE ROAD, SUITE 300, HANNOVER, MD 21078
 USA 888-278-8828 CA 800-959-8887 INTL +1-410-960-8800
 THE INFORMATION ON THIS DRAWING IS PROVIDED BY IMBRIUM SYSTEMS ("IMBRIUM") AS A SERVICE TO THE PROJECT OWNER, ENGINEER AND CONTRACTOR. NEITHER THE DRAWING, NOR ANY PART THEREOF, MAY BE USED FOR ANY PURPOSE OTHER THAN THAT INTENDED WITHOUT THE PRIOR WRITTEN CONSENT OF IMBRIUM. FAILURE TO COMPLY WITH THE INTENDED USE OF THIS DRAWING SHALL BE DONE AT THE USER'S OWN RISK, AND IMBRIUM EXPRESSLY DISCLAIMS ANY LIABILITY OR RESPONSIBILITY FOR SUCH USE.

DATE:	10/13/2017	
DESIGNED:	JSK	DRAWN:
CHECKED:	BSF	APPROVED:
PROJECT No.:	EFO6	SEQUENCE No.:
SHEET:	1	OF
		1

CONFIDENTIAL INFORMATION PRELIMINARY DRAWING

FOR SITE SPECIFIC DRAWINGS PLEASE CONTACT YOUR LOCAL STORMCEPTOR REPRESENTATIVE. SITE SPECIFIC DRAWINGS ARE BASED ON THE BEST AVAILABLE INFORMATION AT THE TIME. SOME FIELD REVISIONS TO THE SYSTEM LOCATION OR CONNECTION PIPING MAY BE NECESSARY BASED ON AVAILABLE SPACE OR SITE CONFIGURATION REVISIONS. ELEVATIONS SHOULD BE MAINTAINED EXCEPT WHERE NOTED ON BYPASS STRUCTURE (IF REQUIRED).

IMBRIUM/PRODUCTS/STORMCEPTOR/EF/40 DRAWINGS & DETAIL/SISTANDARD DETAIL/STANDARD DETAIL/SEFO6-DETAIL.DWG 6/11/2018 2:32 PM