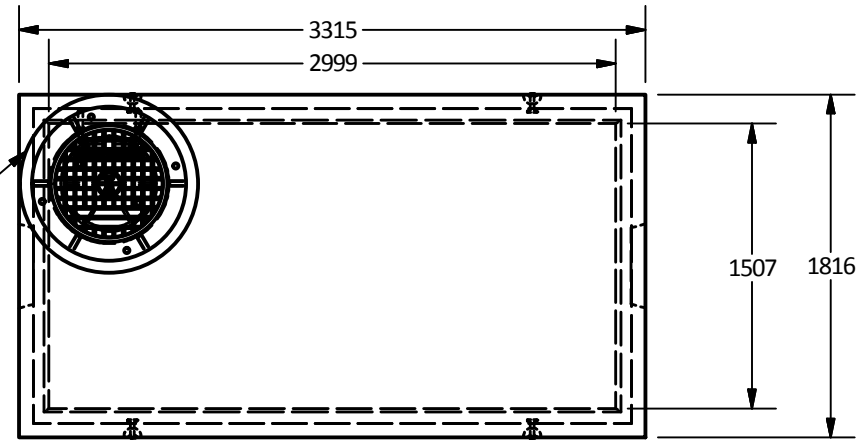


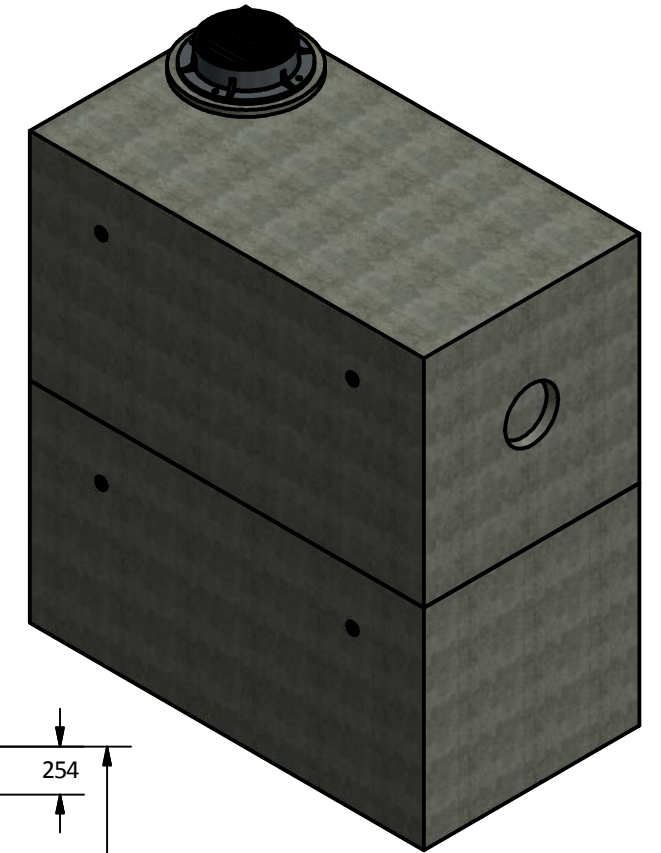
| PART LIST | | | |
|-----------|-----|-----------------------------|-----------|
| ITEM | QTY | PART NUMBER | WEIGHT |
| 1 | 1 | 3153 Vault - Bottom Section | 8,500 kg. |
| 2 | 1 | 3153 Vault - Top Section | 8,900 kg. |

- Notes:
- 3153 Reinforced concrete vault is built as shown.
 - Unit designed to withstand AASHTO HS20 / BCL-625 live loading.
 - Concrete vault designed for the following earth covers:
 - Minimum: 0 m.
 - Maximum: 2.5 m.
 - Unit supplied with opening for access as required.
 - Unit supplied with knock-out cores for inlet/outlet as required.
 - Unit supplied with ladder rungs as required.
 - Unit supplied with lifting insert as required.
 - Minimum rebar yield strength: 414 MPa.
 - Minimum concrete strength: 35 MPa.
 - Vault interior can be supplied with white paint for improved visibility/cleanliness and dampproofed exterior using CS-55 or approved equivalent.
 - All dimensions are in millimeters.

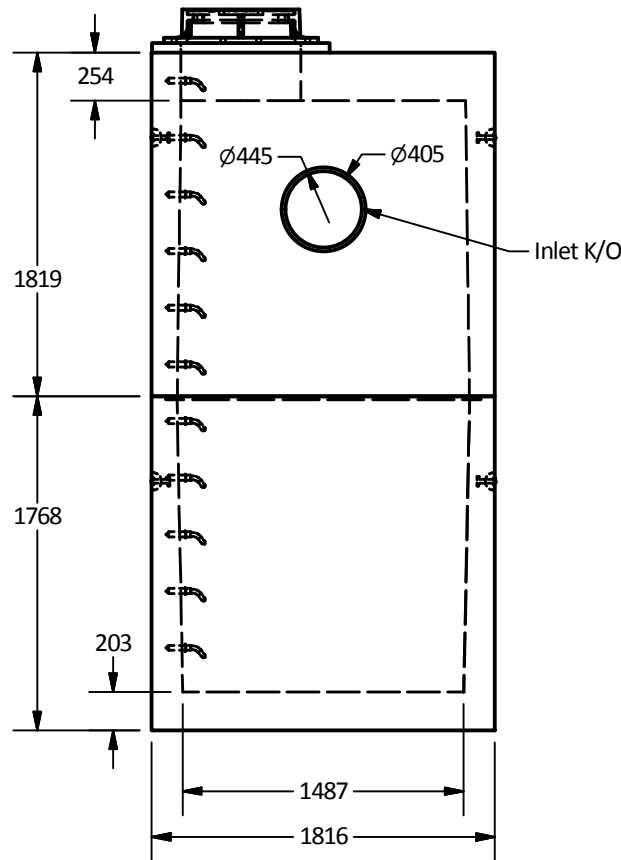
Access Opening Size and Location as required



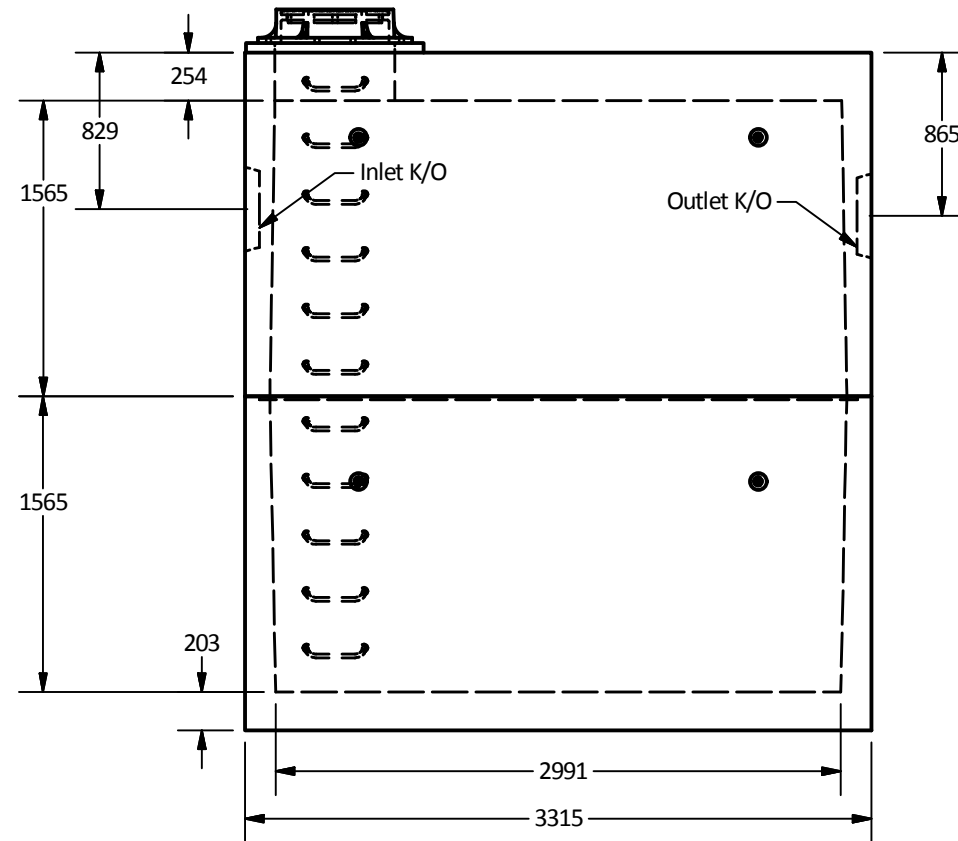
Plan View



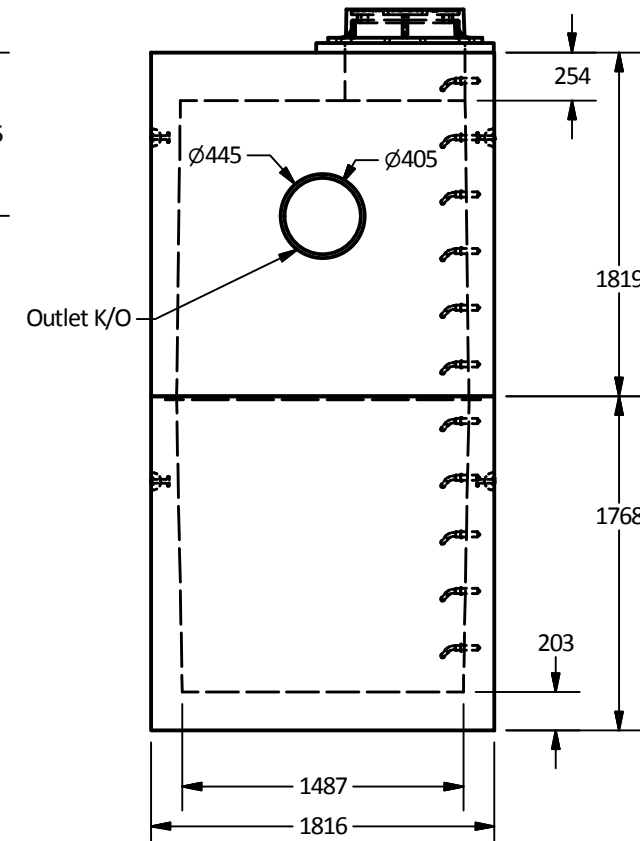
Isometric View



West View



Elevation View



East View

Langley Concrete Group is a certified Q-Cast Plant, an American Concrete Pipe Association Third Party Certification for the manufacture of Pipe, Manhole, Box Culvert & Precast Items.



Quality Assurance of products manufactured by The Langley Concrete Group has been verified by the following third party certification programs



All Dimensions are in Millimeters. Unless otherwise Stated

Projection Method: THIRD ANGLE



LANGLEY (604) 533-1656
VICTORIA (250) 478-9581
CHILLIWACK 1-800 667-9600

This drawing is the property of the Langley Concrete Group of Companies. All information contained herein is confidential and may not be used in whole or in part without written permission from the owner

DESCRIPTION:

Vault 3153

| | |
|-----------------------|-------------------|
| DRAWN BY: SR | JOB NO. |
| CHK BY: KS | DWG NO: 3153-V |
| DATE: Aug.10, 2018 | |
| SCALE: 1:40 | |
| SIZE 11 x 17 | REV. |
| | SHEET 1 OF 1 |